

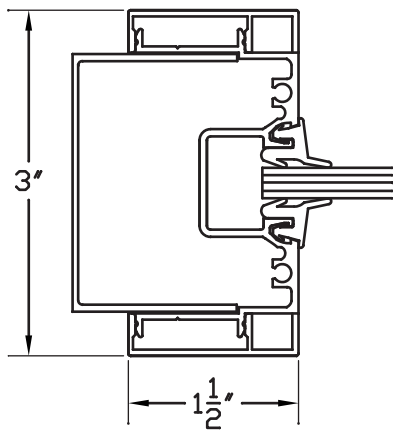
SOLUTIONS 225

OFFICE FRONT



Solutions 225 Office Front is a low profile framing system with the design flexibility to accommodate $\frac{1}{4}$ ", $\frac{3}{8}$ " or $\frac{1}{2}$ " glazing.

Clean lines and easy installation make the Solutions 225 the ideal complete office front system.



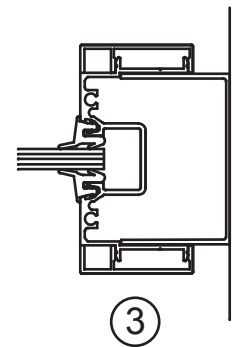
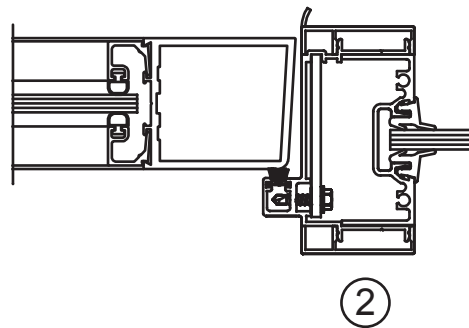
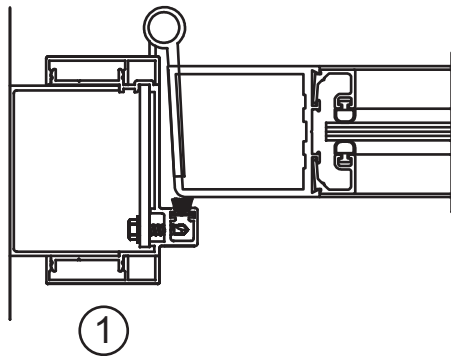
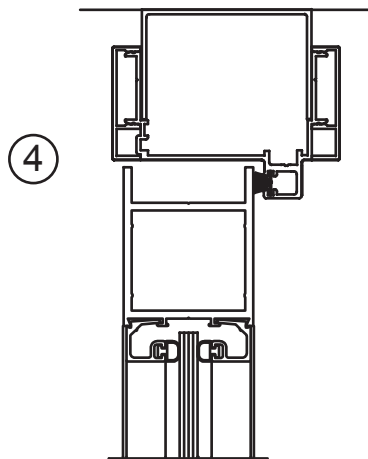
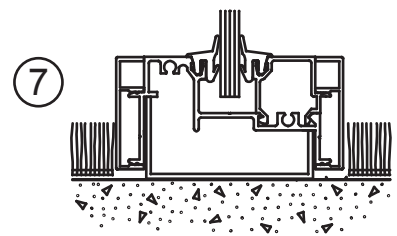
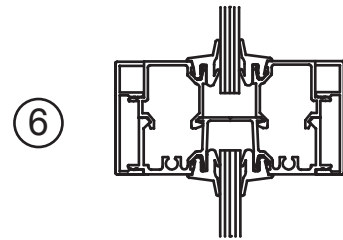
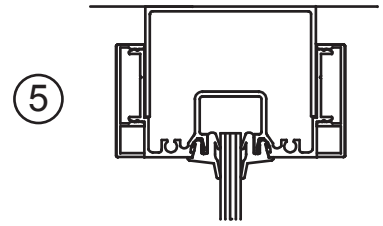
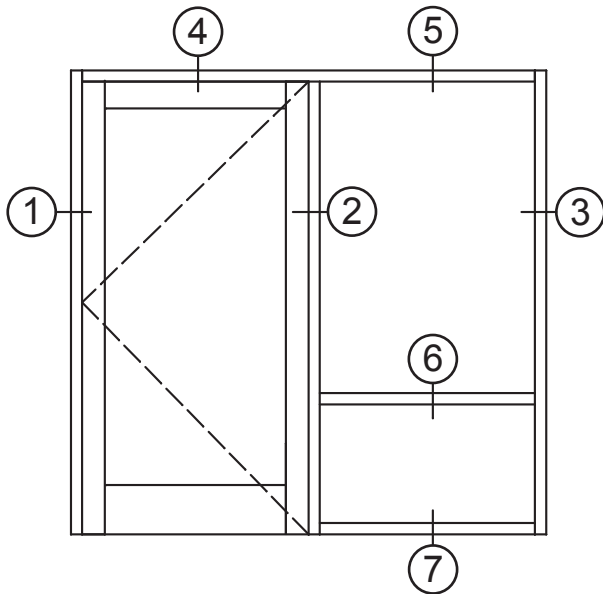
- Single door frames
- Double door frames
- Wrap $2\frac{1}{4}$ " wall
- Reveal options available
- Abutt any wall size, with or without a reveal
- Face profiles $1\frac{1}{2}$ "
- Screw spline assembly for tight joinery
- Clip assembly available
- Top loading glazing gasket
- Sidelites
- Clerestories
- Borrowed lites
- $\frac{1}{4}$ ", $\frac{3}{8}$ ", $\frac{1}{2}$ " glass
- Preps for concealed closers, electric strikes, roller latches, pivot hinges
- Numerous factory finish colors
- No exposed fasteners

Interior Office Front • Entrances • Sliding Door Systems



Interior Products, Inc.

Solutions 225 | Typical Details



Houston Service Center
2000 Silber Road
Houston, TX 77055
t: 800.272.7226
f: 713.682.2079
www.racointeriors.com

Dallas Service Center
2607 Manana
Dallas, TX 75220
t: 214-366-0045
f: 214-366-0501