

# RACO CLASSIC FREESTANDING SERIES

## DOOR FRAME WITH SIDELIGHT

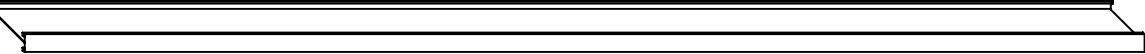
HEADER

RA413  
CLIP  
HR18



FREESTANDING  
HINGE JAMB

DOOR STOPS SHOWN ALREADY ATTACHED TO JAMBS



DOOR SNAP IN

RA225 / RA325  
CLIP  
HR 16H



FREESTANDING  
STRIKE JAMB

\*STRIKE PLATE  
NOT INCLUDED

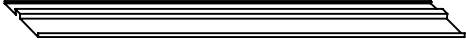
HR46SD  
RA407

HR46D  
RA408

\*4-7/8"  
ASA STRIKE  
PREP

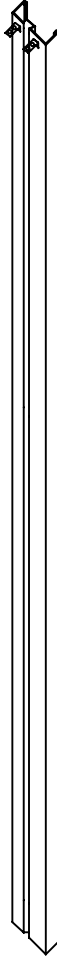
\*2-3/4"  
ASA STRIKE  
PREP

RA224 / RA324  
CLIP  
HR16



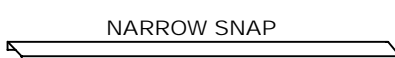
GLAZING SNAP IN

RA406  
CLIP  
HR56B



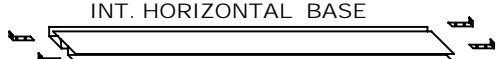
GLAZING SNAP IN

GLAZING JAMB

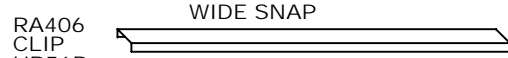


NARROW SNAP

RA406  
CLIP  
HR56B

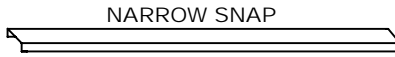


INT. HORIZONTAL BASE



WIDE SNAP

RA406  
CLIP  
HR56B

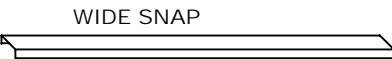


NARROW SNAP



SILL BASE

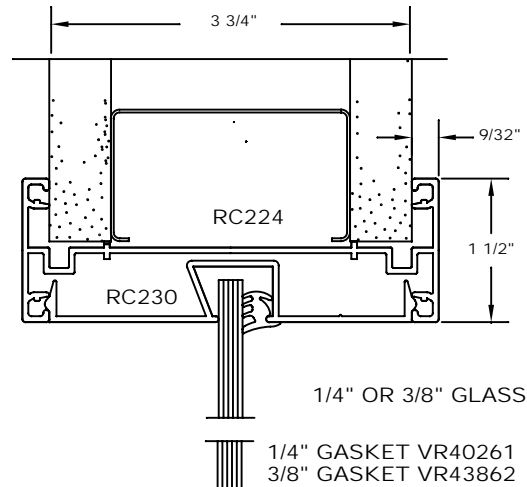
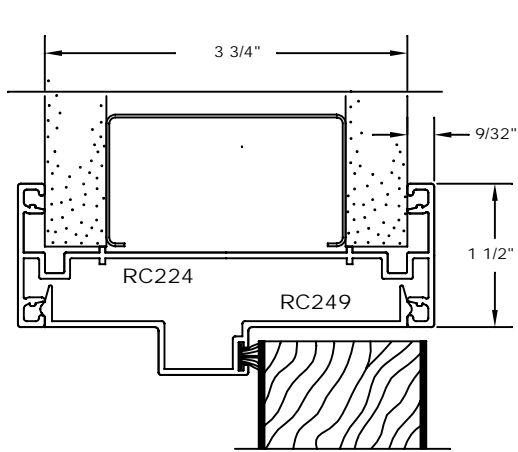
RA406  
CLIP  
HR56B



WIDE SNAP

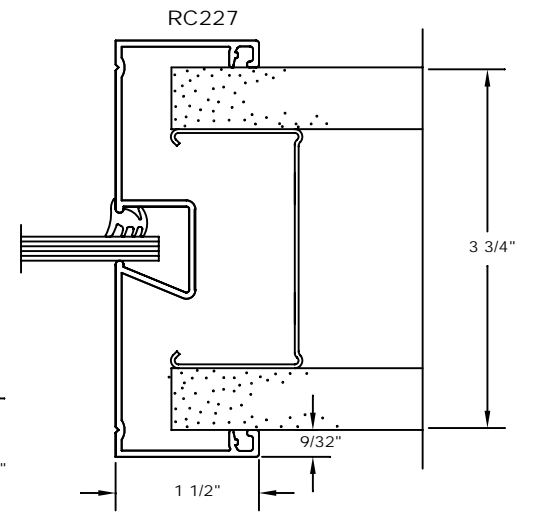
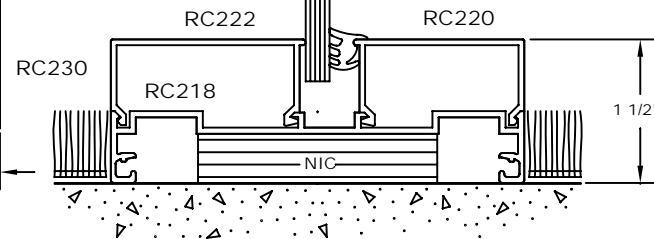
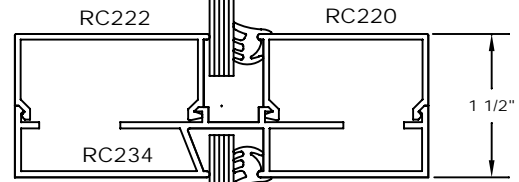
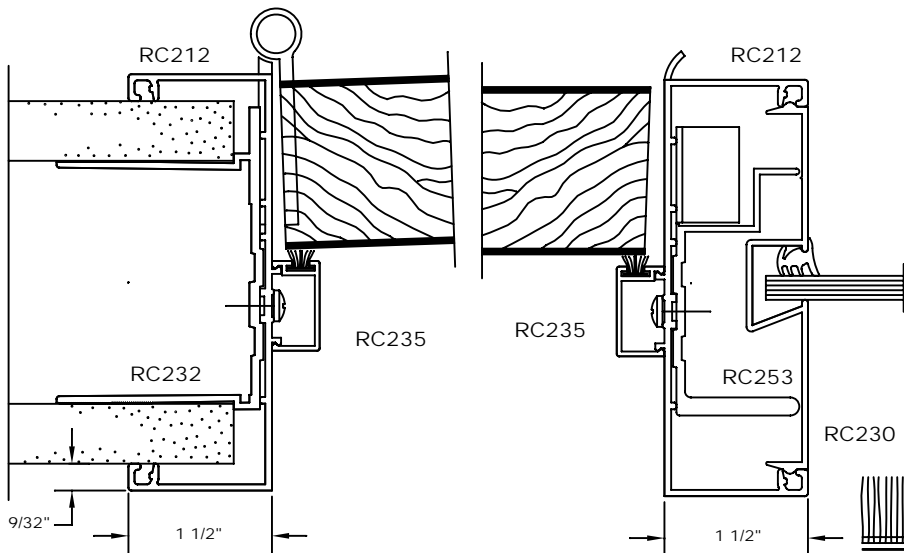
RA406  
CLIP  
HR56B

# CLASSIC FREESTANDING 3-3/4" THROAT



1/4" OR 3/8" GLASS

1/4" GASKET VR40261  
3/8" GASKET VR43862



# Classic

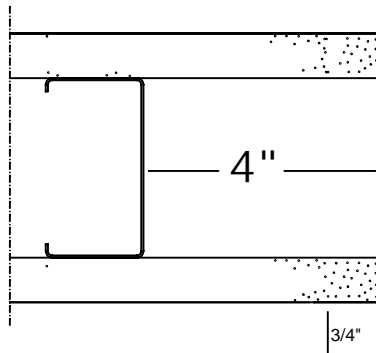
## DRYWALL CONSTRUCTION

Classic is an interior door frame and glazing system designed to fit over conventional drywall construction. The system is assembled into the rough opening left in the drywall and attached to the wall. Classic fits over three common drywall throat sizes. They are 2-1/4", 3-3/4" and 4-7/8" wall thicknesses.

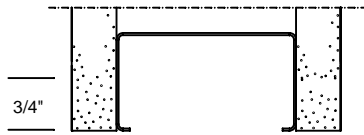
### IMPORTANT:

WALL THICKNESS CANNOT EXCEED 1/8" THICKER THAN NOMINAL (3-3/4" OR 4-7/8").

C-STUD INSET  
4" AT DOOR  
FRAME JAMBS



DOOR FRAME  
JAMB



\*\* HEAD

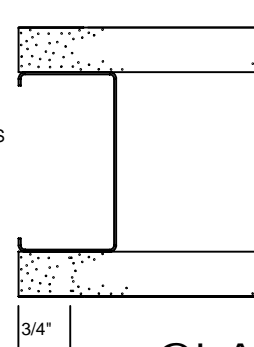
FRAME COVERAGE OVER WALL IS 3/4" AT HEAD AND JAMBS

FRAME COVERAGE OVER WALL IS 1/2" AT SILL



SILL

\*\* C-STUD REVERSED  
AT HEAD AND  
GLAZING JAMB



\*\* GLAZING  
JAMB

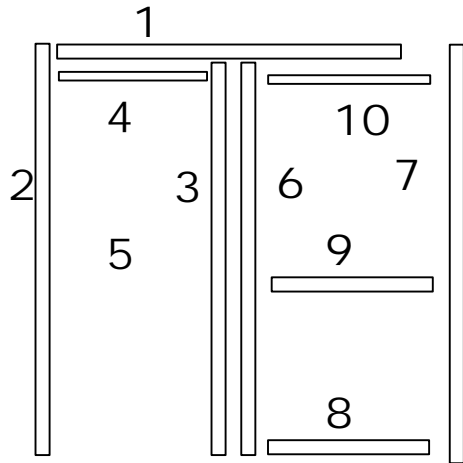
### General Rough Opening Formulas

Width: 3/4" wall coverage  
+ 3/4" wall coverage  
+ door opening width  
+ intermediate vertical(s) if any  
+ daylight opening width(s) if any

Height: 3/4" wall coverage  
+ door opening height

Borrowed light or Clerestory Height  
3/4" wall coverage at head  
+ intermediate horizontal(s) if any  
+ daylight opening height(s)  
+ 1/2" wall coverage at sill

# GENERAL INSTALLATION INSTRUCTIONS



1. PLACE HEAD OVER DRYWALL
2. PLACE HINGE JAMB OVER DRYWALL AND ATTACH TO HEAD. LEVEL HEAD AND PLUMB HINGE JAMB. ATTACH TO WALL
3. ATTACH STRIKE JAMB TO HEAD. PLUMB JAMB AND ATTACH TO FLOOR
4. SNAP IN DOOR FRAME HEAD INSERT.
5. ATTACH DOOR STOPS TO JAMBS.
6. SNAP IN GLAZING INSERT INTO STRIKE JAMB
7. PLACE GLAZING JAMB OVER DRYWALL AND ATTACH TO HEAD
8. ATTACH SILL TO STRIKE JAMB AND GLAZING JAMB.
9. ATTACH INTERMEDIATE HORIZONTAL TO STRIKE JAMB AND GLAZING JAMB.
10. SNAP IN GLAZING HEAD INSERT

