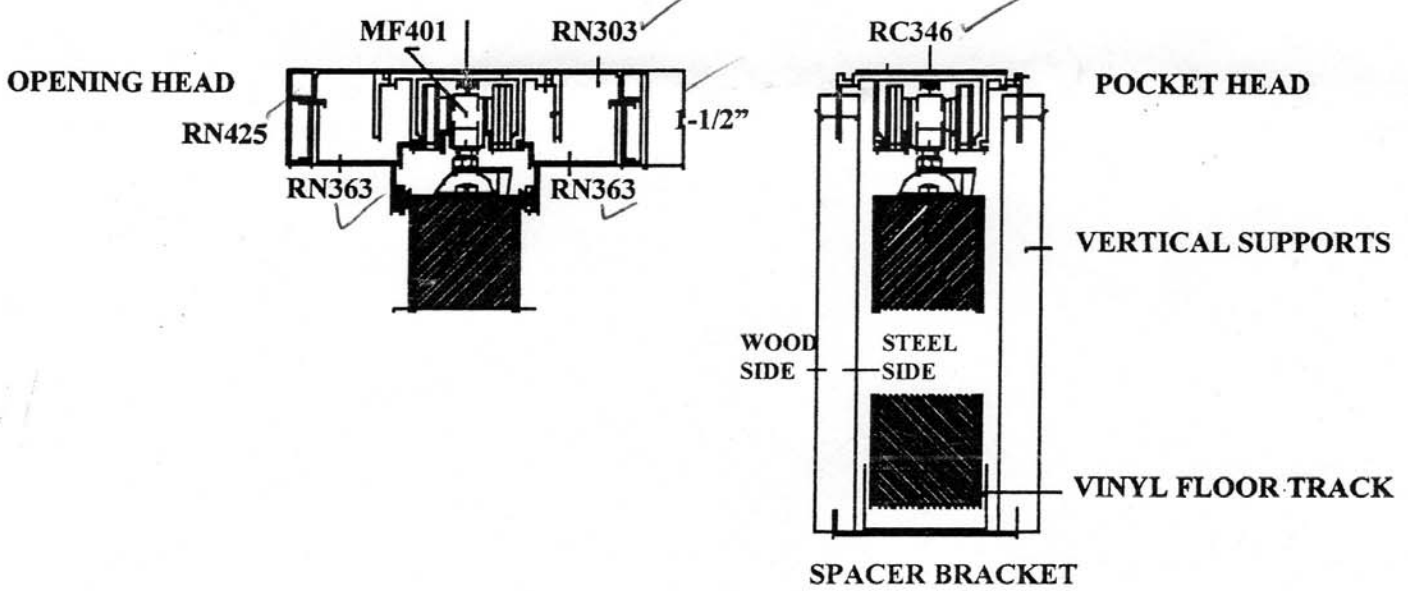


# SOLUTIONS II POCKET

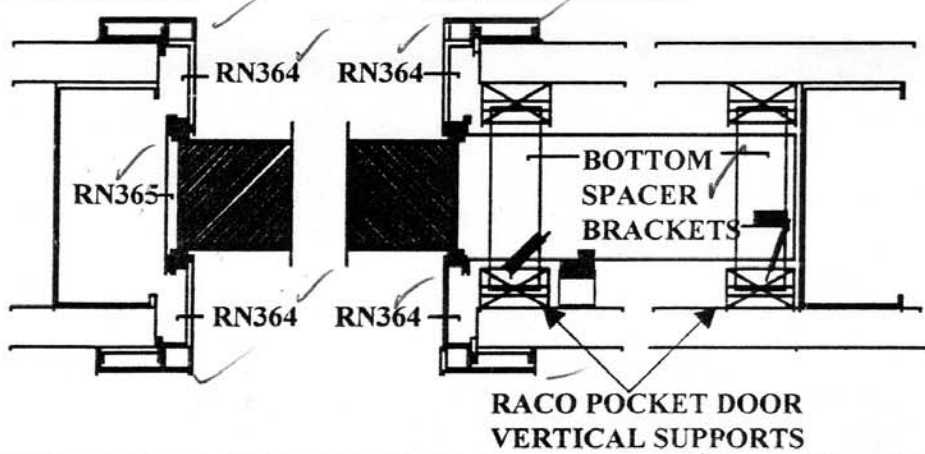
## INSTALLATION INSTRUCTIONS

ATTACHES TO CEILING GRID OR DRYWALL



JAMB TO DRYWALL

JAMB TO POCKET



### WALL CONSTRUCTION

