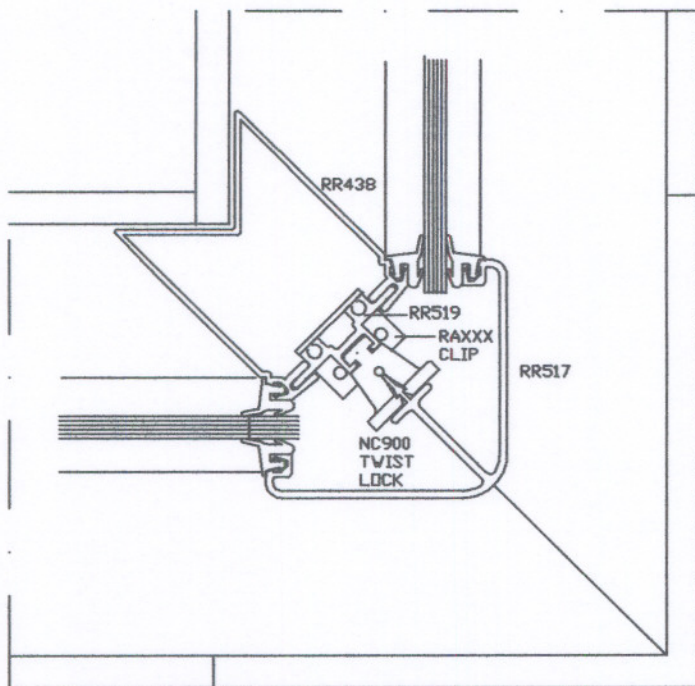


# RACO Solutions II Details

## 4-7/8" THROAT                      CORNERS

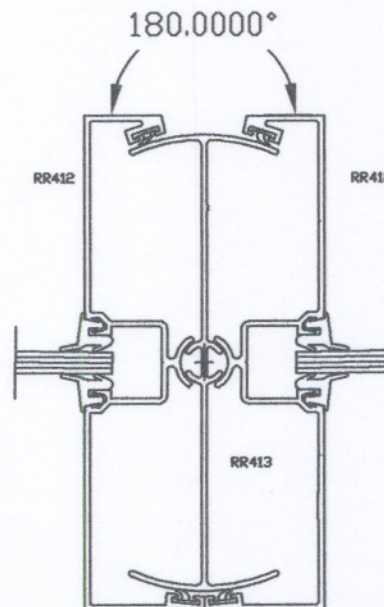
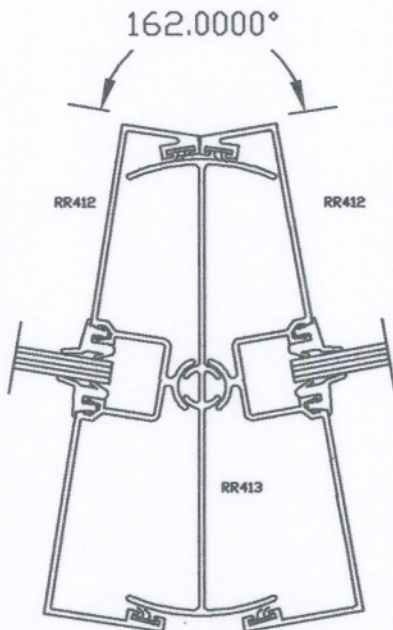
### MITER CORNER SUPPORT



OUTSIDE CORNER TRIM  
FACTORY FABRICATED

N3-079

### ADJUSTABLE RADIUS CORNER



N3-080

*Sol corner 3 487. dwg*

1/2 scale