



CLASSIC Door Frame with Transom

DRYWALL AT HEAD GENERAL INSTALLATION INSTRUCTIONS

General Installation Guidelines

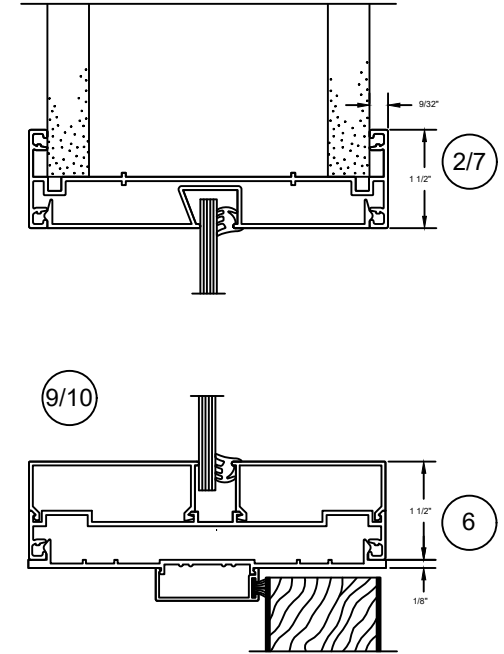
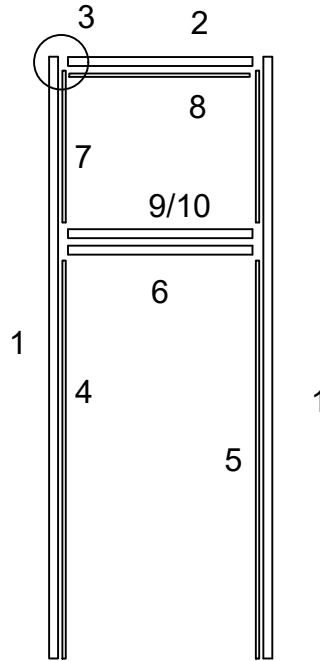
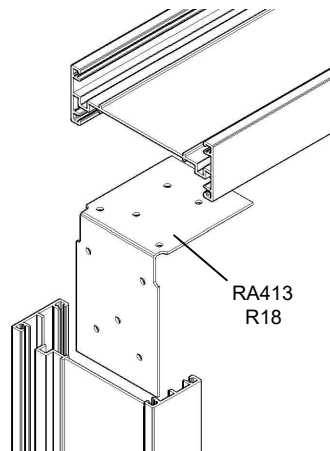
1. CUT (PR-6) FROM FLOOR TO TOP OF HEADER AND FIELD NOTCH VERTICAL(S) (PR-6) 3/4" TO MEET TOP OF HEADER (PR-6). THE DRYWALL C-STUD, R-2 WOOD STUDS AND (PR-6) ARE ATTACHED AS A UNIT THEN INSTALLED.
2. TRANSOM HEADER: CUT (PR-6M) DOOR OPENING + 1/4"
3. ATTACH TRANSOM HEADER TO VERTICAL USING R-18 CLIP
4. SNAP IN HINGE JAMB (PR-4A). MEASURE EXACT LENGTH OF JAMB FROM RABBIT LINE TO FLOOR. CUT EXCESS LENGTH FROM THE BOTTOM. SNAP (P4-4A) INTO (PR-6M) AND SCREW TO R-2 WOOD STUD. MEASURE EXACT LENGTH OF DOOR STOP FROM NOTCH TO FLOOR. CUT EXCESS AND ATTACH TO HINGE JAMB.
5. SNAP IN STRIKE JAMB (PR-4A). MEASURE EXACT LENGTH OF JAMB FROM RABBIT LINE TO FLOOR. CUT EXCESS LENGTH FROM THE BOTTOM. SNAP (P4-4A) INTO (PR-6M) AND SCREW TO R-2 WOOD STUD. MEASURE EXACT LENGTH OF DOOR STOP FROM NOTCH TO FLOOR. CUT EXCESS AND ATTACH TO HINGE JAMB.
6. CUT (PR-7D) AND (PR-4A) DOOR HEADER WITH DOORSTOP ATTACHED TO DOOR OPENING WIDTH + 1/4". REMOVE SNAPS FROM (PR-7D) BASE AND ATTACH (PR-4A) TO (PR-7D). ALIGN THE DOOR HEADER TO DOOR JAMBS AND ATTACH (PR-7D) TO JAMBS WITH 2 (R56B) CLIPS ON EACH SIDE.
7. CUT (PR-5) VERTICAL FROM TOP (PR-7D) TO BOTTOM OF (PR-6M) AT HEAD. REPEAT FOR OPPOSITE SIDE. SNAP INTO (PR-6M) AT VERTICAL.
8. MEASURE AND CUT (PR-5) THE DISTANCE BETWEEN VERTICALS. SNAP INTO (PR-6M) AT HEAD.
9. ATTACH WIDE SNAP TO (PR-7D) BASE AND THE TRANSOM IS READY TO GLAZE.
10. ATTACH NARROW SNAP TO (PR-7D) BASE

ROUGH OPENING INFORMATION

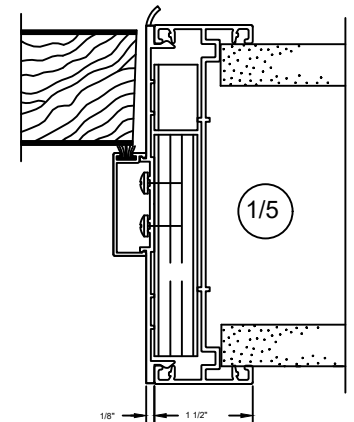
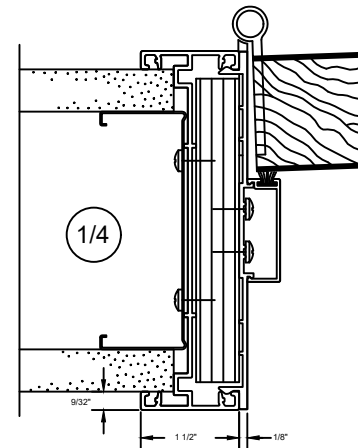
DOOR OPENING WIDTH + 2-1/4"
DOOR OPENING HEIGHT + TRANSOM DAYLIGHT OPENING + 1-5/8" + 1"



3



IMPORTANT INSTALLATION INFORMATION:
WALL THICKNESS CANNOT EXCEED 1/8" THICKER THAN NOMINAL.
CLASSIC FITS 3-3/4" OR 4-7/8"



NOT TO SCALE