



CLASSIC Freestanding Borrowed Light Condition

DRYWALL AT HEAD GENERAL INSTALLATION INSTRUCTIONS

1. PARTIAL HEIGHT:

CUT SAMPLE (4"-6") OF PR-6 AND PR7D. CAP OVER ROUGH-IN OPENING AT EACH CORNER OF HEAD AND SILL TO DETERMINE LENGTH OF PR-5M VERTICAL JAMBS. JAMBS MUST BE FIELD NOTCHED 7/8" AT TOP AND 5/8" AT BOTTOM TO FIT OVER DRYWALL. AFTER NOTCHING IS COMPLETE, INSTALL PR-5M JAMBS AND ALLOW TO FLOAT UNTIL NEXT STEP IS COMPLETE.

1A. FULL HEIGHT BORROWED LIGHT

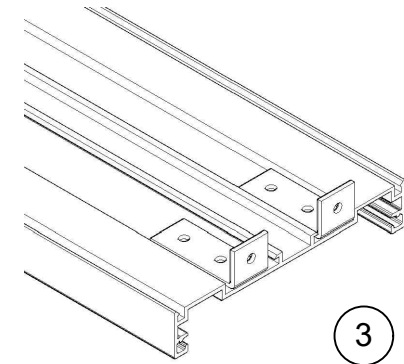
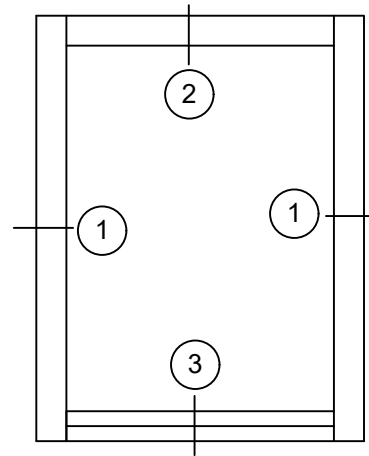
JAMBS MUST BE FIELD NOTCHED 7/8" AT TOP AND CUT TO TOP OF FINISHED FLOOR. MEASURE AND CUT PR-7D BETWEEN VERTICALS AND ATTACH TO VERTICALS WITH R56B CLIPS AND SCREWS.

2. DETERMINE FINISHED WIDTH OF LIGHT, CUT PR-5 AND PR-7D AND ATTACH AT HEAD AND SILL WITH DRYWALL SCREWS. ALL JOINTS TO BE BUTT-CUT.

3. USING 2 EACH R-56B CLIPS AT EACH CORNER, SECURE PR-5M TO HEAD AND SILL USING ST066 TEK SCREW MAKING CERTAIN JOINTS ARE TIGHT.

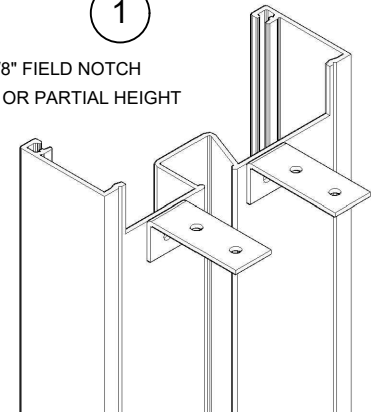
4. MEASURE AND CUT PR-5 SNAP-IN HEADER AND PR-7D SNAPS (WIDE AND NARROW).

5. FIELD MEASURE AND INSTALL DESIRED THICKNESS OF GLASS (1/4" AND 3/8" TYPICAL; SPECIFY WHEN ORDERING RACO ALUMINUM MATERIAL). RACO RUBBER GASKET INSTALLS ON ONLY ONE SIDE OF GLASS.

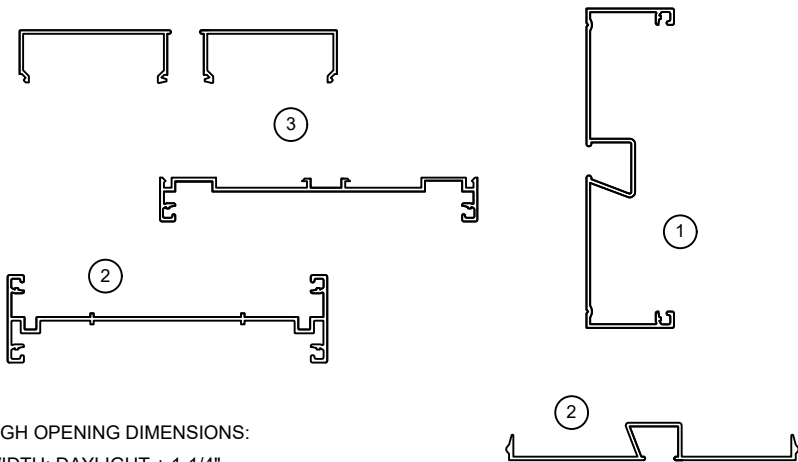


1

7/8" FIELD NOTCH
FULL OR PARTIAL HEIGHT



RACO CLASSIC PARTS



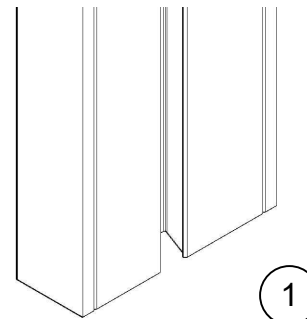
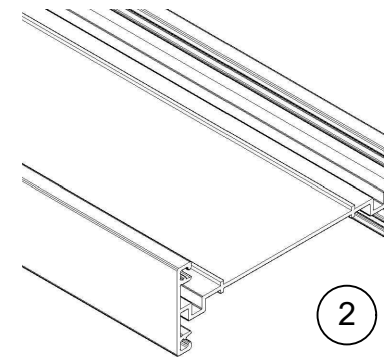
ROUGH OPENING DIMENSIONS:

WIDTH: DAYLIGHT + 1-1/4"
HEIGHT: DAYLIGHT + 1-3/4" IF PARTIAL HEIGHT
HEIGHT: DAYLIGHT + 5/8" IF FULL HEIGHT

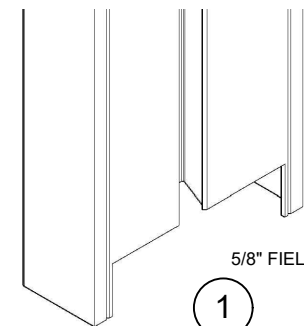
(ADD 5/8" IF SILL SITTING ON FLOOR).

ALL DIMENSIONS MAY VARY TO FIELD CONDITIONS

(ALLOW APPROXIMATELY 1/8").



BOTTOM WHEN FULL HEIGHT



5/8" FIELD NOTCH
1
BOTTOM PARTIAL HEIGHT

NOT TO SCALE