



# CLASSIC Non-Rated Adjustable Door Frame

## DRYWALL AT HEAD GENERAL INSTALLATION INSTRUCTIONS

(20 MINUTE LABEL OR NO LABEL)

1. WHEN BUILDING WALL LEAVE ONE PIECE OF DRYWALL UNATTACHED UNTIL PLY-WOOD BUCK ASSEMBLY IS PLACED IN WALL.  
(IF ALL BOARD IS UP AND FASTENED ATTACH WOOD BUCK TO "C" STUD AND FIT IN).

2. ATTACH DRYWALL STUD TO EACH PLYWOOD BUCK USING WOOD SCREWS. TEN (10) ON HINGE SIDE AND EIGHT (8) ON STRIKE SIDE. NOTCH STRIKE BUCK TO RECEIVED STRIKE BOX. PLACE ASSEMBLY IN WALL.

3. PLUMB HINGE SIDE PLYWOOD BUCK AND SCREW OFF DRYWALL. BOTTOM SCREWS SHOULD ENGAGE BOTH STUD AND FLOOR TRACK. LEVEL HEADER, ALIGN STRIKE SIDE PLYWOOD BUCK WITH HINGE JAMB BY MEANS OF SPREADER AND SCREWS OFF DRYWALL. BOTTOM SCREWS SHOULD ENGAGE BOTH STUD AND FLOOR TRACK.

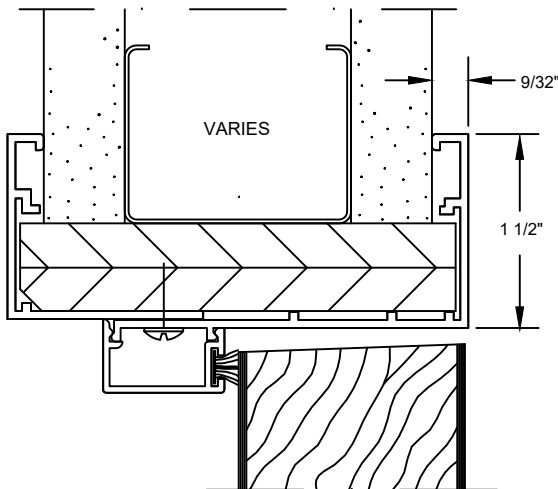
4. ASSEMBLE TWO HALVES OF ALUMINUM FRAME USING RA428 CLIP FURNISHED. PLACE ASSEMBLED FRAME HALVES OVER PLYWOOD BUCK FROM OPPOSITE SIDE OF WALL AND SECURE WITH TEK DRYWALL SCREWS PLACED IN DOOR STOP RECESS. ATTACHED SNAP-ON DOOR STOP TO JAMBS.

5. ATTACH HINGES TO PLYWOOD BUCK AND HANG DOOR.

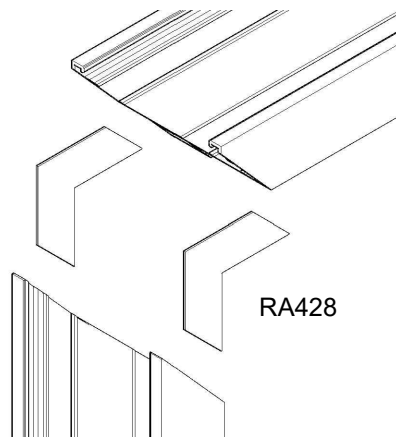
ROUGH OPENING DIMENSIONS:  
HEIGHT = DOOR OPENING + 7/8"  
WIDTH = DOOR OPENING + 1-7/8"

### RACO CLASSIC ADJ. DOOR FRAME PARTS

#### ASSEMBLED VIEW

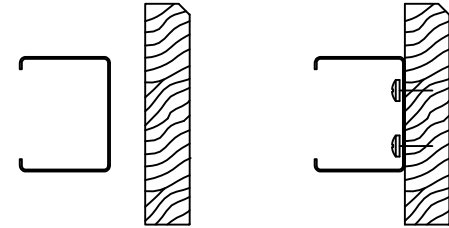


#### HEAD JAMB CONNECTION



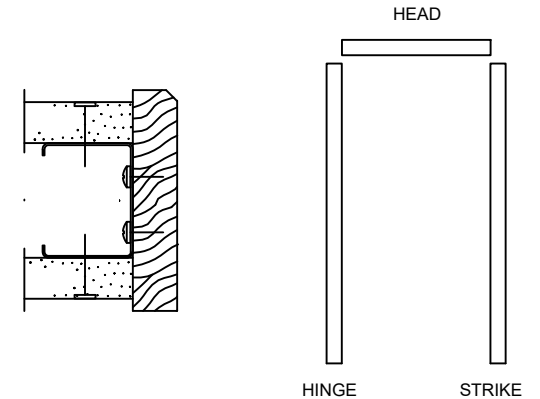
#### WOOD BUCK / C-STUD ASSEMBLY

##### STEP 1



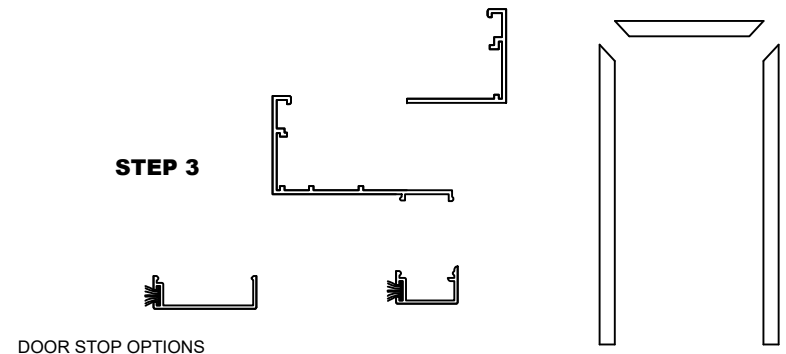
#### INSTALL SUB FRAME IN WALL

##### STEP 2



#### ASSEMBLE AND INSTALL ALUMINUM JAMBS

##### STEP 3



IF JAMB NEEDS TO BE CUT  
TRIM BOTTOM OF FRAME ONLY

NOT TO SCALE