

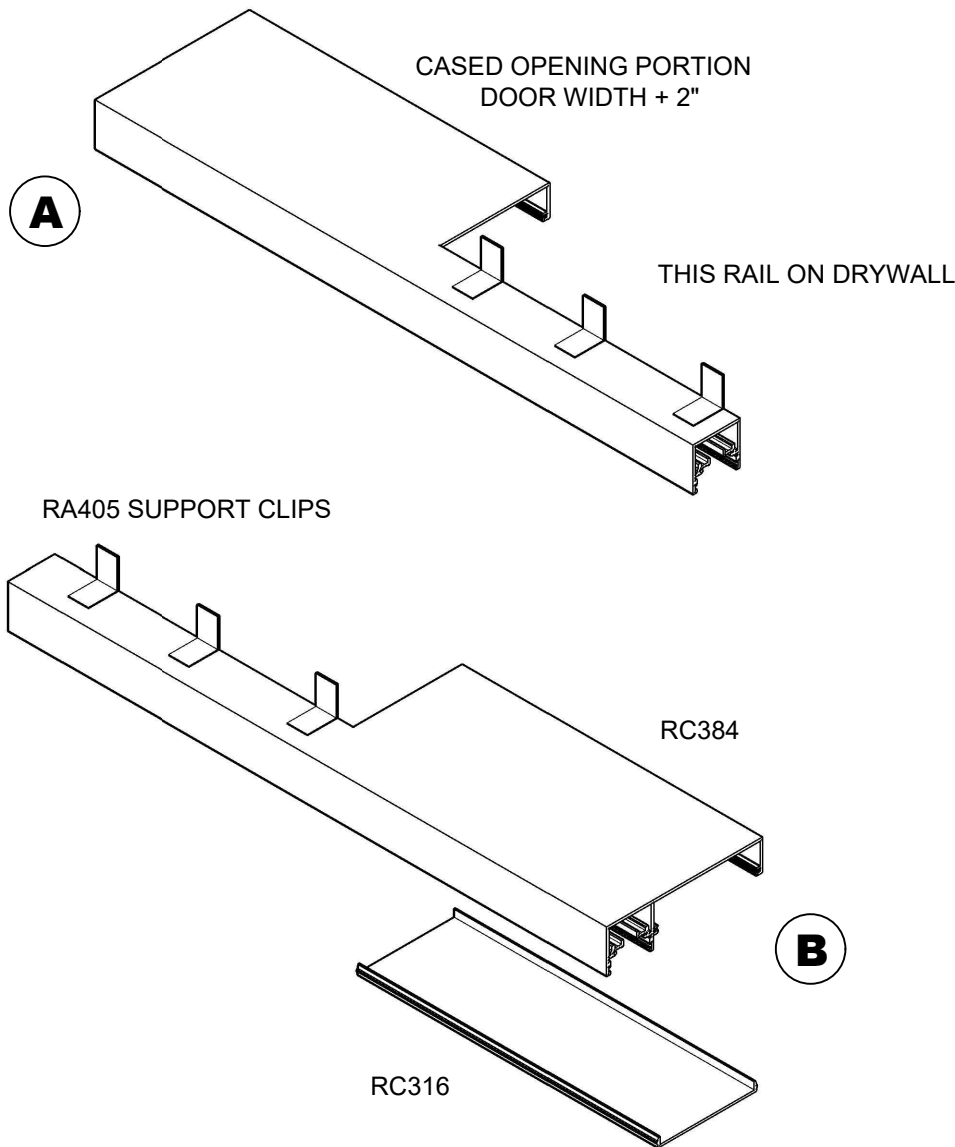


CLASSIC Offset Slider Over Drywall

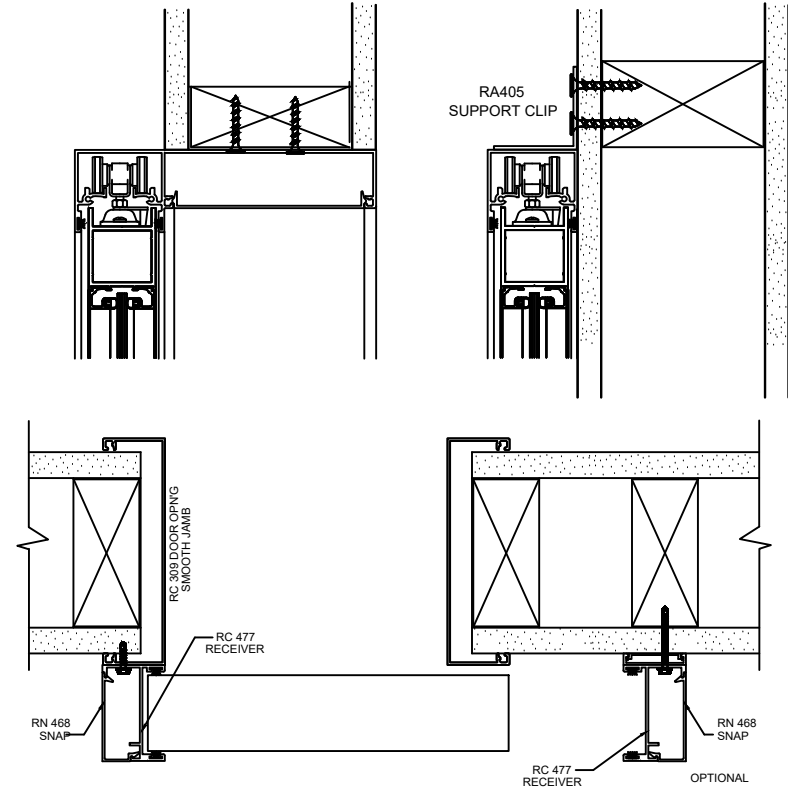
GENERAL INSTALLATION INSTRUCTIONS

RC384 HEAD TRACK

RHO/LHI DIAGRAM (A) LHO/RHI DIAGRAM (B)



1. MEASURE AND VERIFY RC384 IS CUT TO ROUGH OPENING DIMENSION.
2. MEASURE WIDTH OF DOOR AND CUT END OF RC384 TRACK THAT HAS BEEN FABRICATED BY FACTORY DOOR WIDTH + 2"
3. ATTACH RC384 TO BOTTOM OF ROUGH OPENING INTO WOOD BLOCKING AT HEADER AND ATTACH RA405 CLIP AS SHOWN IN DETAIL TO DRYWALL STUD FOR SUPPORT (INSERT ROLLER AND BUMPER STOPS)
4. ATTACH RC309 WITH COMMERCIAL CONSTRUCTION ADHESIVE.
5. SNAP RC316 AT HEAD.
6. ATTACH RECEIVER (RN468 AND RC484)
7. HANG DOOR AND APPLY END CAP TO TRACK.



DOOR / ROLLERS

WOOD DOOR ROLLER BRACKET PLACEMENT:

Place hanger bracket at edge of door, 2" from edge of door to C/L of bracket.

NOT TO SCALE