



CLASSIC Pocket and Bi-Parting Door Frame

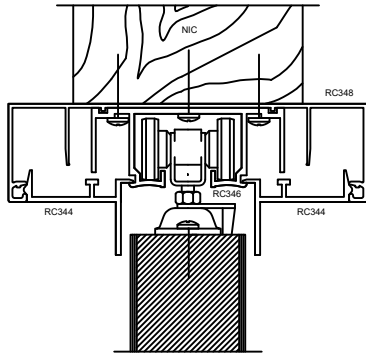
DRYWALL AT HEAD GENERAL INSTALLATION INSTRUCTIONS

1. INSTALL RC345 (POCKET FRAME JAMB - SL1)
2. INSTALL SECTION OF RC348 HEAD TRACK (PR-1) TO FINISH OPENING SIZE.
NOTE: THE RC348 RUNS THE FULL WIDTH OF THE FINISHED OPENING ONLY.
ATTACH AT HEAD AND INSTALL THE RC346 POCKET HEAD TRACK (SL-3A), TWO TIMES THE SIZE OF THE DOOR WIDTH.
PLACE THE TWO EH773 ROLLERS INTO THE TRACK, AND ATTACH THE TRACK AT 12" ON CENTER.
3. INSTALL THE RW105 WOOD STUDS (SL-5) AT THE DOOR OPENING + 1/8" AND AT THE CENTER OF THE POCKET,
ENGAGING THE RC346 TRACK AND THE RA615 FLOOR CLIP (SL-5F).
INSTALL VR910 PLASTIC DOOR GUIDE (SL-10) INTO THE POCKET AND ANCHOR TO FLOOR.
INSTALL THE EH711 WALL STOP (R23) TO THE WOOD BLOCKING (BY OTHERS). INSTALL DRYWALL TO WOOD STUDS TO CLOSES THE OPENING.
4. INSTALL THE TWO PIECES OF RC347 POCKET SPLIT JAMB (SL-2) TO THE OPENING.
5. HANG AND ADJUST DOOR. INSTALL RC344 CLOSER PLATES (SL-3S) TO EACH SIDE OF THE RC346 TRACK TO COMPLETE THE OPENING.

ROUGH OPENING HEIGHT = DOOR OPENING HEIGHT + 2-1/8"

OPENING WIDTH = DOOR WIDTH - 1"
ROUGH OPENING WIDTH = OPENING WIDTH + 5/8"
POCKET OPENING WIDTH = ACTUAL DOOR WIDTH - 5/8"

FULL HEIGHT POCKET HEAD DETAIL



PARTIAL HEIGHT LESS THAN CEILING

FOLLOW FULL HEIGHT INSTRUCTIONS EXCEPT A-050 AND RC347 REPLACES RC344

