



SOLUTIONS II Corner Post Installation Instructions

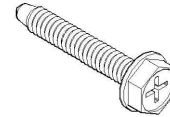
FRAME MUST BE INSTALLED PLUMB AND SQUARE

CORNER POST MEMBERS

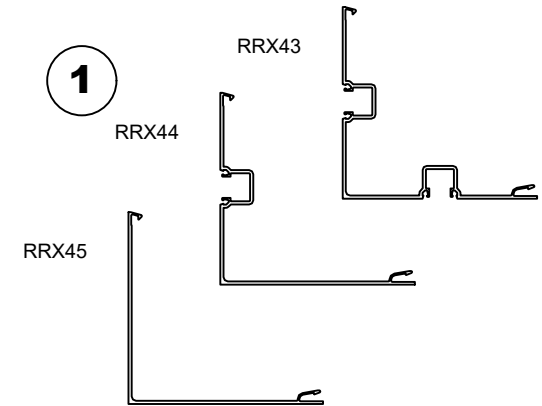
General Installation Guidelines

1. MEASURE ROUGH OPENING. CUT CORNER POST MEMBERS.
CORNER POST LENGTH = OVERALL FRAME HEIGHT
2. CUT HEAD AND SILL CHANNELS TO LENGTH.
HEAD AND SILL CHANNEL LENGTH IS AS SHOWN.
3. FABRICATE CORNER POST MEMBERS FOR HEAD, SILL AND INTERMEDIATE HORIZONTALS AS SHOWN.
4. ASSEMBLE CORNER POST PANELS AS SHOWN. INSTALL CORNER PANELS FIRST AND WORK BACK TO WALL JAMB OR END OF FRAME.

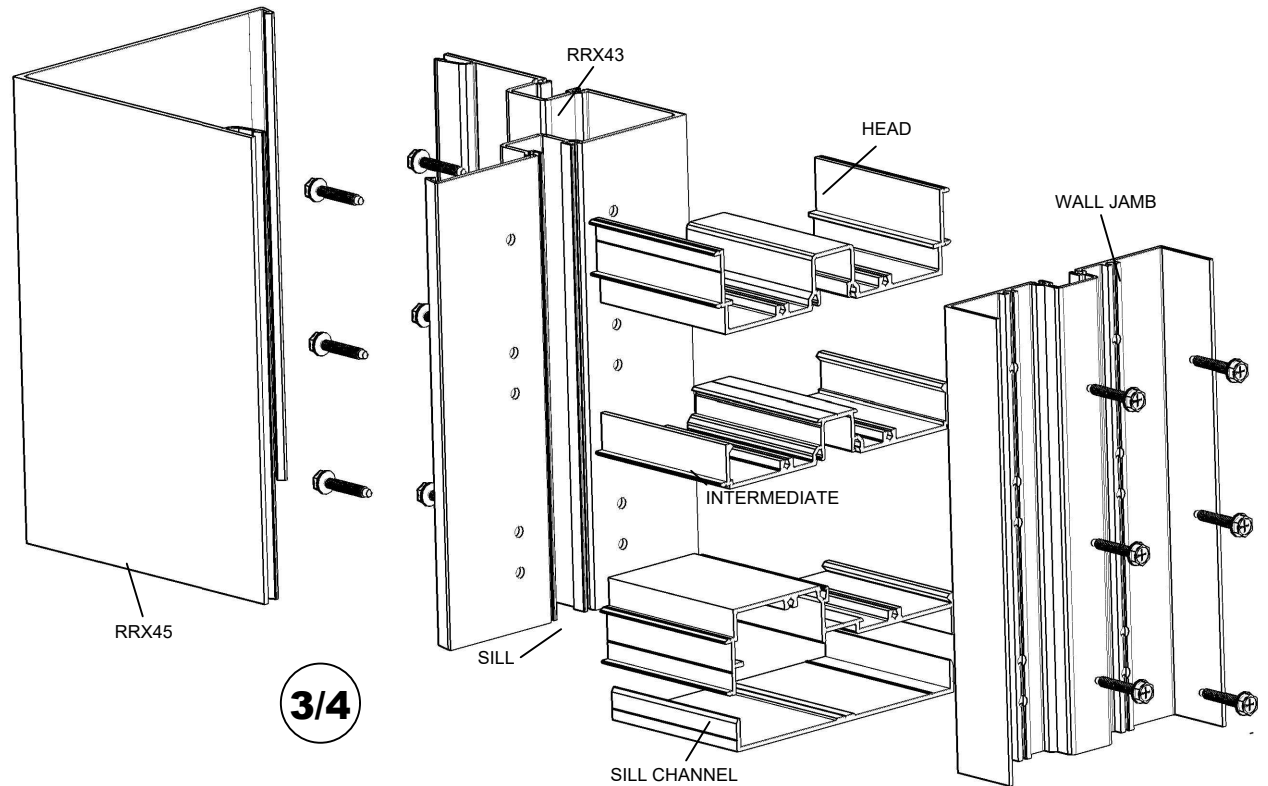
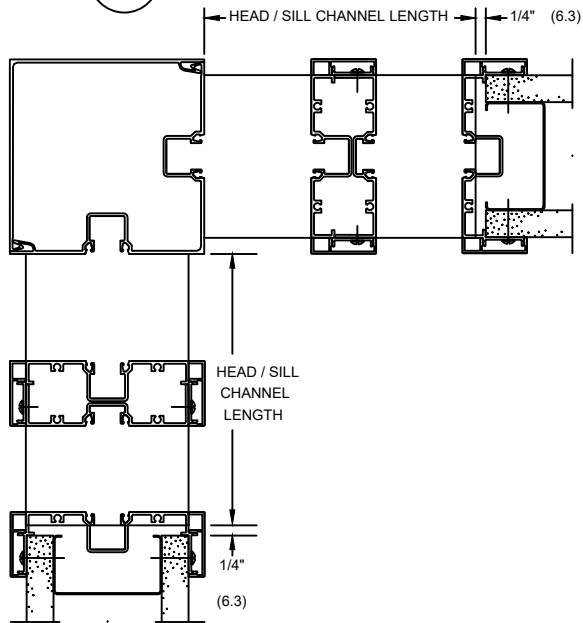
ST351



1



2



3/4

NOT TO SCALE