



SOLUTIONS II Flush Slider Installation Instructions

FRAME MUST BE INSTALLED PLUMB AND SQUARE

General Installation Guidelines

1. PRE-LOAD ROLLER HARDWARE INTO TRACK
 - A LOAD BUMPER STOP
 - B LOAD ROLLERS
 - C LOAD BUMPER STOP

2. SCREW RN352 TO (BASE) RN366 USING ST351

3. SNAP RN351 TO (BASE) RN366

4. SNAP RN351 INTO (VERTICAL) RN366

5. SCREW RN368 TO (VERTICAL) RN366

6. SCREW RN352 TO RN368 USING ST351

7. SNAP (HORIZONTAL) RN351 INTO RN368

8. SNAP P-050 FILLER INTO RN368 TRACK

9. STAND COMPLETED ASSEMBLY UP AND WRAP RN352 OVER DRYWALL

10. WRAP RN303 OVER DRYWALL AND CONNECT RN303 TO RN368 WITH CLIPS

- A USE RA406 CORNER CLIP WITH (ST137) SCREWS
 - B USE RA107 STRAIGHT CLIP WITH (ST137) SCREWS

11. SCREW RN303 AND RN352 TO DRYWALL

- 11a. ATTACH RN368 TO HEAD STRUCTURE, SEE (A) WITH SCREW LONG ENOUGH TO SECURE TO THE WOOD SUPPORT. - CLEAN TRACK OF DEBRIS WHEN FINISHED

12. SCREW FLOOR GUIDE TO STRIKE JAMB

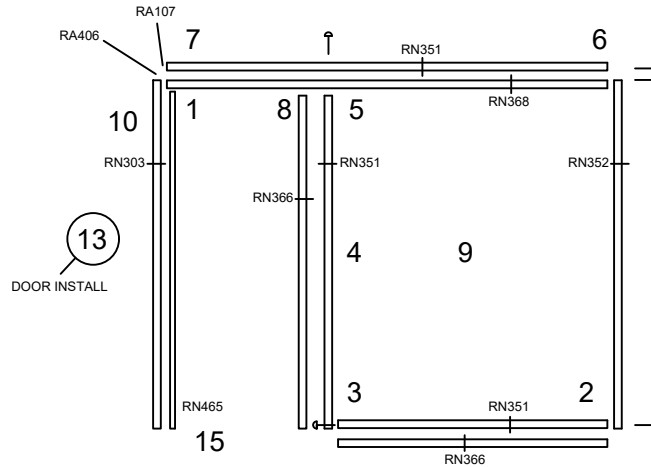
13. HANGING THE DOOR

- A ENGAGE BOTTOM OF DOOR OVER FLOOR GUIDE PIN
 - B SLIDE DOOR TO OPEN AND CLOSE ADJUST ROLLERS IF NEEDED
 - C CLOSE LEVEL HANDLE ON THE ROLLER PLATES

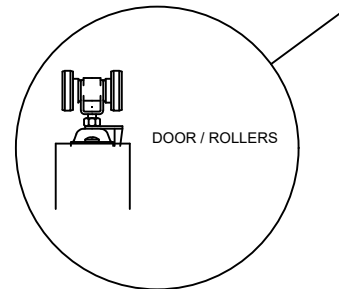
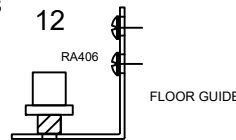
DOOR SIZE FORMULA
 FINISHED FLOOR TO TOP OF RN368
 SUBTRACT 2.125", SUBTRACT .500", ADD .187"

14. CUT TRIMS TO SIZE , INSTALL TRIM

15. SCREW RN465 TO RN303

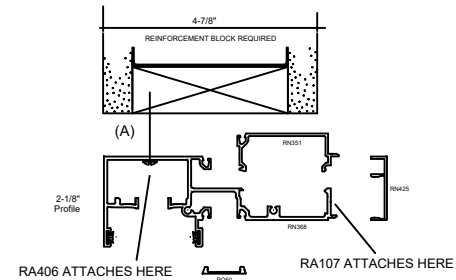


RN368 FACTORY NOTCH FOR RN366 VERTICAL
 IN THIS DIAGRAM ST351 = →

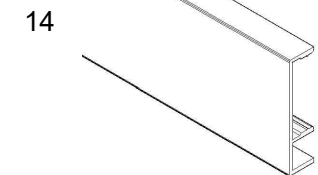
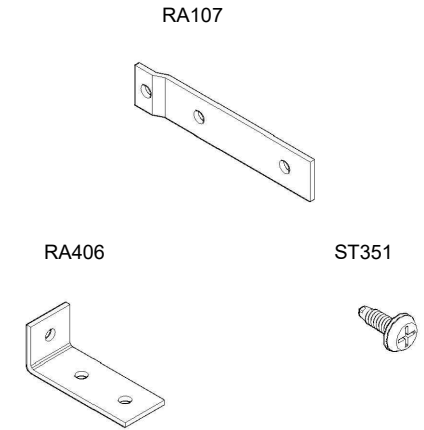
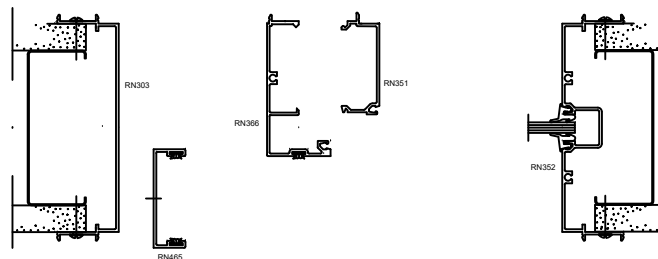


WOOD DOOR ROLLER BRACKET PLACEMENT:

Place hanger bracket at edge of door, 2" from edge of door to C/L of bracket.



ROUGH OPENING WIDTH = DOOR OPENING WIDTH + DAYLIGHT OPENING OF WINDOWS
 + WIDTH OF INTERMEDIATE VERTICAL MULLIONS + 1-1/2"
 ROUGH OPENING HEIGHT = OUTSIDE FRAME DIMENSION



NOT TO SCALE