



SOLUTIONS II Lead Lined Frame Construction Data Information Sheet

LEAD LINED FRAME TECHNICAL DATA

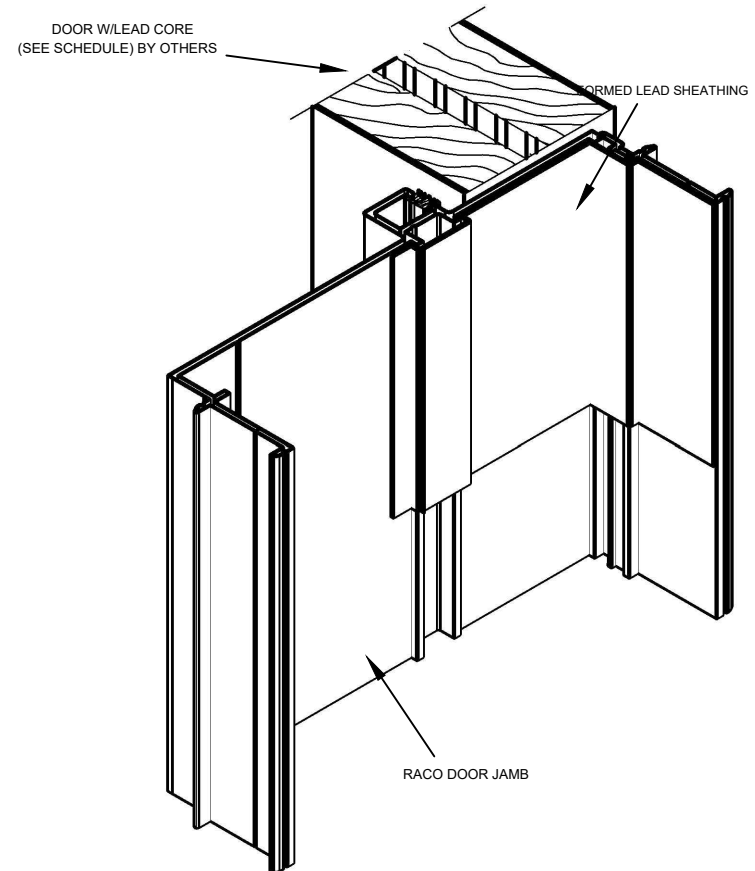
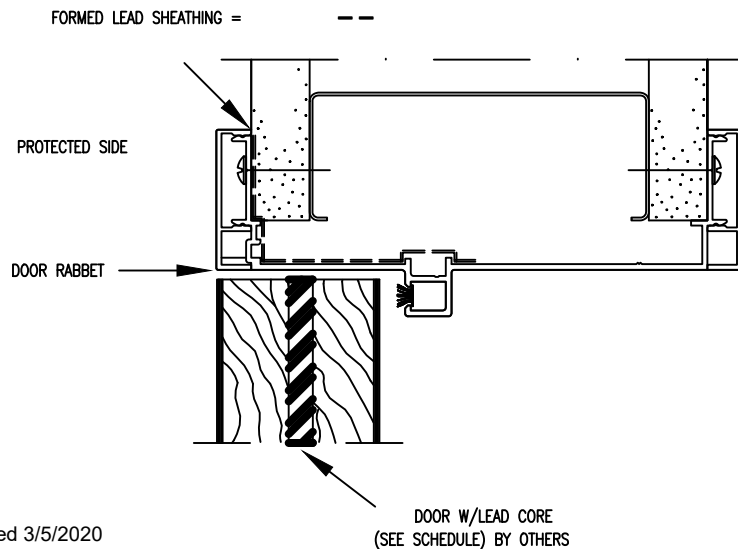
FACTORY INSTALLED LEAD AVAILABLE IN 1/16" THICKNESS.
LEAD WILL BE APPLIED ON THE FACE, RABBET AND SOFFIT OF FRAME.

UNLESS OTHERWISE NOTED:

RIGHT HAND OR LEFT HAND DOORS WILL HAVE LEAD
INSTALLED ON DOOR FACE, RABBET AND SOFFIT OF FRAME.
REVERSE HAND DOORS, THE LEAD WILL BE INSTALLED ON
OPPOSITE DOOR FACE RABBET AND SOFFIT.

FRAME SIZES:

375, 462, 487, 500, 525, 550, 612, 725



LEAD SPECIFICATION:

ASTM B29 AND ASTM B749
REFINED LEAD; 99.9% PURE
LEAD PER FEDERAL SPECIFICATION
QQ-L-201F, TYPE C

LEAD THICKNESS:
1/16"

NOT TO SCALE