



SOLUTIONS II Pocket and Bi-Parting Door Frame Installation Instructions

FRAME MUST BE INSTALLED PLUMB AND SQUARE

General Installation Guidelines

1. BUILD ROUGH OPENING AS SHOWN:

- A. ASSURE HEAD IS LEVEL
- B. ASSURE THAT C-STUDS IN JAMBS ARE FACING THE RIGHT DIRECTION

2. CHECK PARTS LIST:

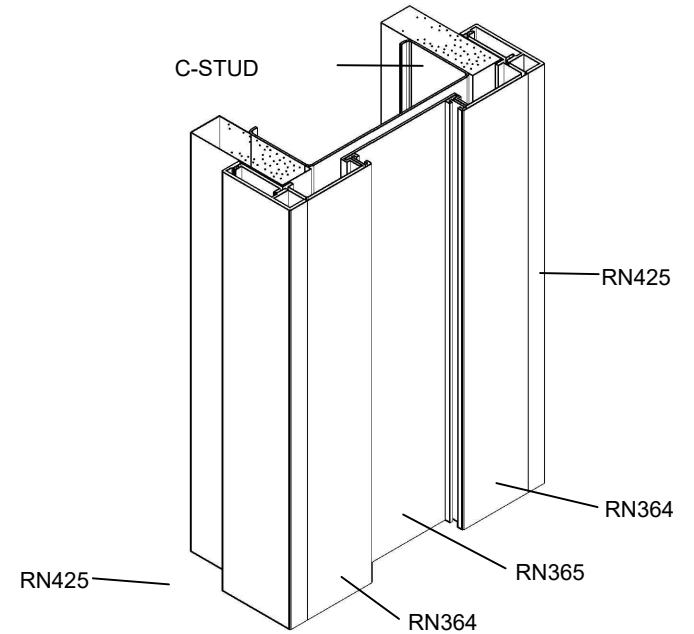
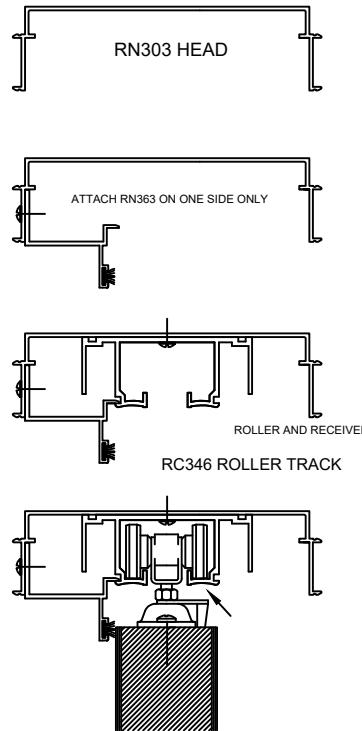
- A. HEAD RN303
- B. HEAD INSERT (2) RN363 WITH WOOL PILE INSTALLED
- C. JAMBS (4PCS) RN364 WITH WOOL PILE INSTALLED
- D. FILLER RN365
- E. CLIPS - (2) RA107, (2) RA108
- F. ROLLER TRACK RC346
- G. SHIMS (6)
- H. ATTACHMENT TEK SCREWS ST066
- I. POCKET KIT
 - * VERTICAL SUPPORT (4)
 - * BOTTOM SPACER BRACKETS (2)
 - * VINYL POCKET TRACK
 - * ROLLER ASSEMBLIES (2) WITH RECEIVERS AND WRENCH

3. ATTACH TO RN303 ONE SIDE OF RN363 INSERT. SECOND SIDE WILL BE INSTALLED AFTER DOOR IS HUNG.

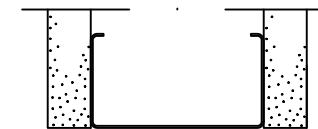
4. ASSEMBLY OPENING JAMB WITH (2) RN364 AND (1) RN365. PLACE OVER WALL AND ATTACH WITH THE TOP OF THE JAMB TOUCHING THE ROUGH OPENING HEAD. ASSURE JAMB IS PLUMB. SCREW TO DRYWALL EVERY 12"

5. INSERT ROLLER TRACK RC346 INTO HEAD AND NEST WITH RN363 ON ONE SIDE.

- A. HOLD TOGETHER AND BUTT TO ROUGH OPENING HEAD
- B. INSERT ROLLERS INTO TRACK
- C. SCREW THROUGH ROLLER TRACK HEAD INTO C-STUD AT HEAD. START SCREWING IN THE OPENING HEAD SECTION
- D. BEFORE SCREWING THE ROLLER TRACK INTO THE POCKET SECTION, CHECK FOR LEVEL. INSERT SHIMS AT THIS TIME TO ASSURE LEVEL WITH EACH ATTACHMENT SCREW.



HEAD FULL HEIGHT - ATTACH RN303 AND RC346 TRACK TO CEILING GRID



HEAD LESS THAN CEILING HEIGHT

JAMB IN POCKET

WALL CONSTRUCTION

ROUGH OPENING HEIGHT EQUALS:
DOOR OPENING HEIGHT + 2"

ROUGH OPENING WIDTH EQUALS:
DOOR WIDTH x 2 + 5/8"



JAMB IN OPENING



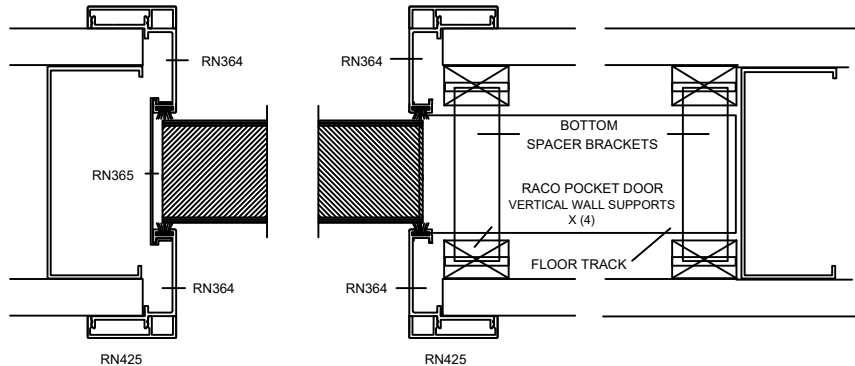
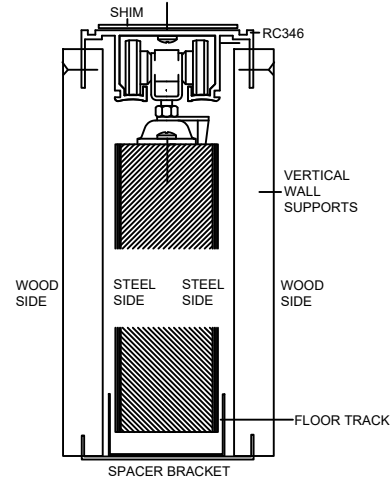
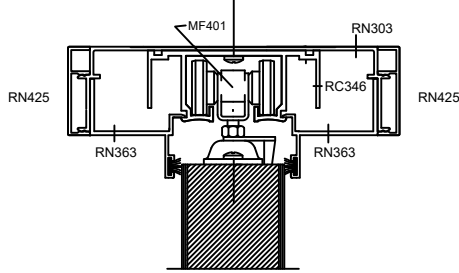
NOT TO SCALE



SOLUTIONS II Pocket and Bi-Parting Door Frame Installation Instructions

FRAME MUST BE INSTALLED PLUMB AND SQUARE

REINFORCEMENT REQUIRED



6. ATTACH THE TWO RN364 VERTICALS TO THE RN303 HEAD USING THE RA108 CORNER CLIP
 - A. VERTICALS CUT FROM BOTTOM OF HEAD TO FLOOR
 - B. JAMBS WILL BE PLUMBED AFTER FINAL DRYWALL IS INSTALLED OVER THE POCKET

7. ATTACH THE FOUR VERTICAL SUPPORTS
 - A. CUT VERTICAL SUPPORTS SO THAT TOP FIT ONTO ROLLER TRACK FINNS AND BOTTOM FITS OVER FLOOR SPACER BRACKETS.
 - B. SLOT CUT END OF VERTICALS TO FIT BOTTOM SPACER BRACKETS
 - C. INSERT VERTICAL SUPPORTS SO WOOD IS FACING OUTWARD ON ALL FOUR
 - D. INSERT BOTTOM SPACER BRACKETS INTO THE BOTTOM OF THE VERTICAL SUPPORT
 - E. SCREW TOP OF VERTICAL SUPPORT TO THE ROLLER TRACK FIN. BE CAREFUL NOT TO USE SCREWS THAT WILL GO BEYOND THE SUPPORTS AND INTERFERE WITH THE DOOR'S MOVEMENT.
 - F. PLACE THE VINYL FLOOR TRACK INTO THE BOTTOM OF THE POCKET SO THAT IT WILL RECEIVE THE BOTTOM OF THE DOOR. ATTACH TO THE FLOOR.

8. FINISH THE INSTALLATION OF THE DRYWALL USING THE VERTICAL SUPPORTS FOR ATTACHMENT

9. PLUMB AND ATTACH THE LAST TWO RN364 MEMBERS TO THE DRYWALL

10. ATTACH THE ROLLER RECEIVERS TO THE TOP OF THE DOOR (CENTERED)

11. HANG THE DOOR AND ADJUST THE HEIGHT WITH THE ENCLOSED WRENCH

12. INSERT THE SECOND RN363 INTO THE HEAD AND ATTACH

13. CUT THE TRIM TO FIT AND INSTALL

NOTE: BI-PARTING FRAME IS MERELY TWO OPPOSING POCKET FRAMES WITHOUT FIXED JAMBS.

NOT TO SCALE