

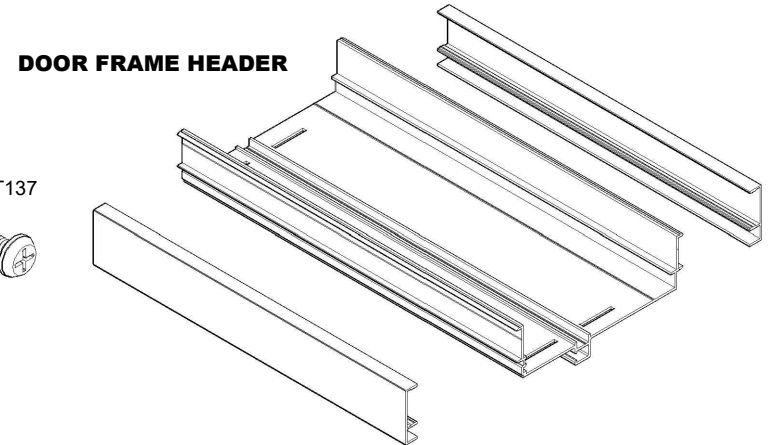
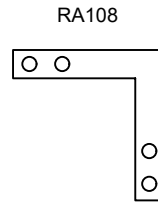


SOLUTIONS II Single and Double Door Frame Installation Instructions

FRAME MUST BE INSTALLED PLUMB AND SQUARE

General Installation Guidelines

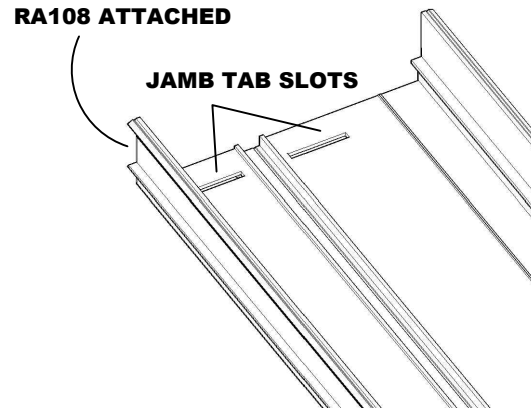
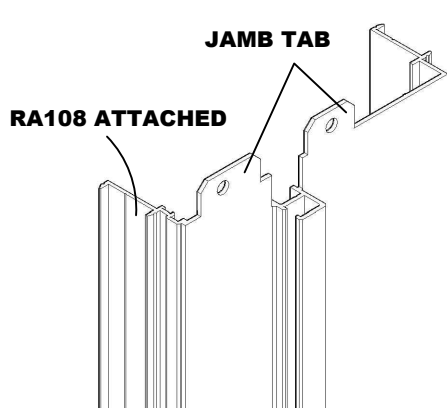
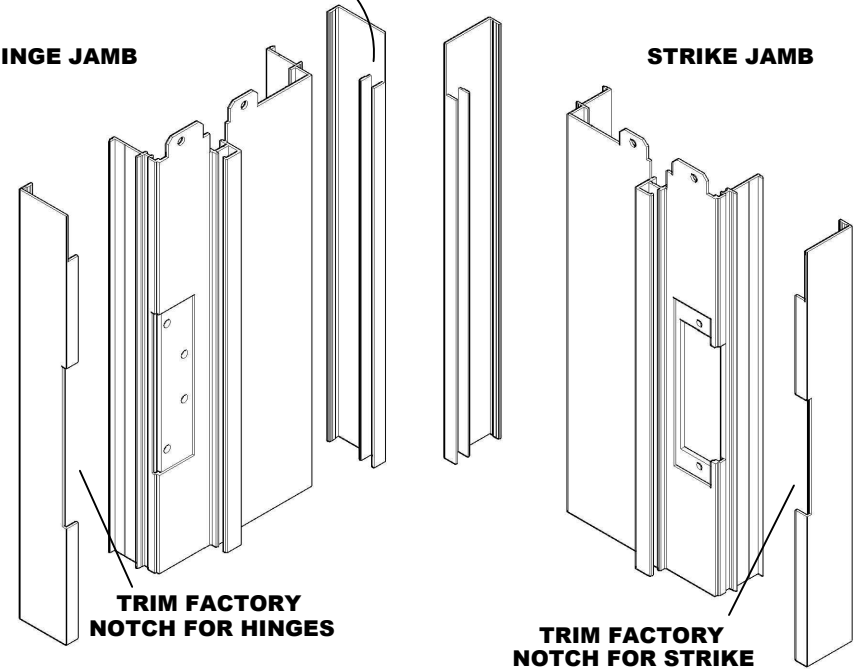
1. SLIP FRAME HEADER OVER DRYWALL TO DOOR OPENING HEIGHT AND LEVEL.
2. MEASURE AND CUT HINGE JAMB.
3. SLIP HINGE JAMB TABS INTO HEADER SLOTS.
4. MEASURE AND CUT STRIKE JAMBS.
5. SLIP STRIKE JAMB TABS INTO HEADER SLOTS.
6. CLIP DOOR FRAME TOGETHER. LEVEL HEAD AND PLUMB JAMB. ATTACH TO DRYWALL BY SCREWING THRU THE SIDES OF THE FRAME WITH DRYWALL SCREWS (BY OTHERS) THAT ARE LONG ENOUGH TO ENGAGE THE C-STUD IN THE WALL. PLACE THE FIRST SCREW WITHIN 3" OF THE TOP OF THE FRAME AND THE BOTTOM SCREW WITHIN 2" OF THE OF THE FRAME. SPACE REMAINING SCREWS EVERY 9-12" APART. NOTE - AT EACH HINGE AND STRIKE CUTOUT PLACE A SCREW JUST ABOVE AND BELOW THE HINGE/STRIKE CUTOUT AT EACH LOCATION. SCREWS WILL BE COVERED ONCE TRIM IS INSTALLED.
7. INSTALL TRIM - VERTICALS FOLLOWED BY HEADER TRIM.



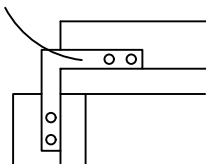
FACTORY NOTCH

HINGE JAMB

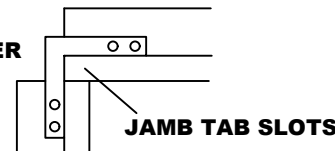
STRIKE JAMB



RA108 CORNER CLIP



DOOR FRAME HEADER



NOT TO SCALE



SOLUTIONS II Single and Double Door Frame Rough Opening Formulas

FRAME MUST BE INSTALLED PLUMB AND SQUARE

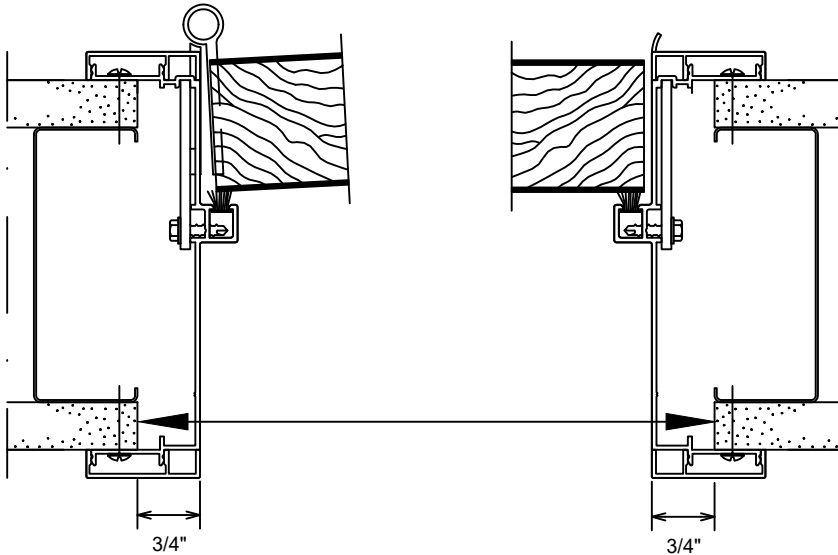
IMPORTANT:

WALL THICKNESS CANNOT EXCEED 1/8" THICKER THAN NOMINAL WALL SIZE.

NOTE: DRYWALL STUDS TO BE INVERTED AS SHOWN

FORMULA FOR SINGLE OR DOUBLE FRAME ROUGH OPENING WIDTH

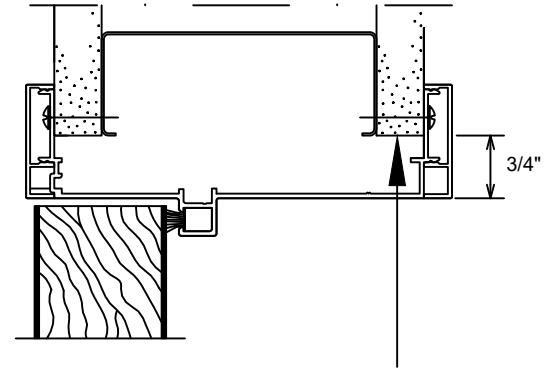
ROUGH OPENING WIDTH = DOOR OPENING WIDTH + 1-1/2"



DOOR FRAME HINGE JAMB

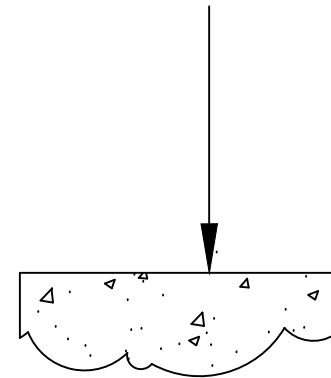
**DOOR FRAME STRIKE JAMB
OR
HINGE JAMB DOUBLE FRAME**

DOOR FRAME HEADER



FORMULA FOR SINGLE OR DOUBLE FRAME ROUGH OPENING HEIGHT

ROUGH OPENING HEIGHT = DOOR OPENING HEIGHT + 3/4"



NOT TO SCALE