

225 Single Frame with Sidelight Clip Installation Instructions

General Installation Guidelines FRAME MUST BE INSTALLED PLUMB, LEVEL AND SQUARE

- CHECK FINISHED OPENING WIDTH AND HEIGHT DIMENSIONS. MEASURE AND CUT HINGE SIDE RN107 STARTER CHANNEL TO OVERALL FINISH OPENING HEIGHT. APPLY STARTER CHANNEL TO WALL USING DRYWALL SCREWS (BY-OTHERS) EVERY 8"-10" APART. [SEE BOX A].
 - SET OPPOSITE STARTER CHANNEL FULL HEIGHT AND APPLY TO WALL ON SIDELIGHT SIDE.
 - MEASURE AND CUT RN107 STARTER CHANNEL TO INSIDE DIMENSION OF BOTH HINGE AND SIDELIGHT STARTER. APPLY STARTER CHANNEL FOR DOOR OPENING AND SIDELIGHT TO FINISHED OPENING AT HEAD [SEE BOX B].
 - MEASURE FROM WALL ON HINGE SIDE USING FORMULA BELOW BEFORE CUTTING CHANNEL AT BASE.
 - PROFILE WIDTH + DOOR OPENING WIDTH + $\frac{3}{4}$ " MAKE A MARK

MEASURE FROM MARK TO THE APPLIED VERTICAL STARTER CHANNEL ON SIDELIGHT SIDE AND CUT RR020 BASE STARTER CHANNEL. APPLY USING PROPER ANCHORING SCREWS (BY-OTHERS).
 - PLACE RN155 DOOR JAMB OVER STARTER CHANNEL AT HEAD. LEVEL AND SQUARE BEFORE ATTACHING USING ST137 SCREWS 8"-10" APART. RN155 PRE-CUT SHOULD BE OVERSIZED BE 1-1/8"
 - MEASURE AND TRIM RN155 HINGE DOOR JAMB. PLACE OVER HINGE SIDE STARTER CHANNEL. LEVEL AND ATTACH USING ST137 SCREWS 8"-10" APART.
-
- DRAWING SHOWS HINGE JAMB WITH $\frac{1}{2}$ " NOTCH AND OVERSIZED HEADER. MAKE SURE ITS A $\frac{3}{8}$ " OVERHANG ON TOP OF HINGE AND STRIKE SIDE. THIS WILL CREATE A TIGHT JOINT AND EXACT DOOR OPENING WIDTH.
- APPLY RA108 CLIPS ON BOTH SIDE AT JOINT TO SECURE HINGE JAMB AND HEADER [SEE BOX C].
 - MEASURE AND TRIM STRIKE JAMB RN155. PLACE STRIKE JAMB IN POSITION UNDER HEADER WITHIN FACTORY NOTCH. CHECK PLUMB, LEVEL, & SQUARE. STRIKE JAMB RN155 SHOULD THROAT +/- $\frac{3}{4}$ " OF RR020 AT FLOOR.
 - ALIGN, LEVEL, AND MAINTAIN DOOR OPENING WIDTH BEFORE ANCHORING TO RR020 USING ST137 SCREWS. [SEE BOX D].
 - MEASURE AND TRIM VERTICAL AND HORIZONTAL RN152 GLASS JAMBS BEFORE PLACING OVER APPLIED CHANNELS IN POSITION. LEVEL AND SQUARE BEFORE ATTACHING TO STARTER CHANNELS USING ST137 SCREWS. [SEE CLIP DIAGRAM]
 - MEASURE AND CUT RN154 GLASS INSERT AT STRIKE JAMB TO INSIDE DIMENSION. TOP OF BASE CHANNEL TO BOTTOM OF GLASS JAMB. INSERT AND ATTACH USING ST137 SCREWS 8"-10" APART ON BOTH SIDES. ADD RA602 CLIPS ON EACH SIDE TO SECURE STRIKE JAMB, DOOR AND GLASS HEADER [SEE BOX E].
 - MEASURE AND CUT RN150 SILL BASE TO INSIDE DIMENSION. ATTACH USING ST137 SCREWS 8"-10" APART ON BOTH SIDES. ADD RA106 CLIPS ON EACH SIDE TO SECURE STRIKE JAMB, BASE CHANNEL, AND RN150 SILL BASE AT THE +/- $\frac{3}{4}$ " THROAT. ATTACH OPPOSITE END WITH RA107 AT GLASS JAMB [SEE BOX F].
 - MEASURE AND CUT TRIM RN425 TO FIT ON BOTH SIDES. DON'T TRIM THE FACTORY NOTCHED SIDE. ALIGN HINGE AND STRIKE PLATE NOTCHES AND SNAP ON SYSTEM. [SEE BOX G].



(A)



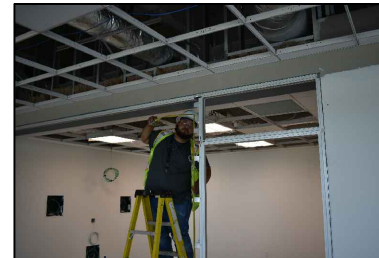
(B)



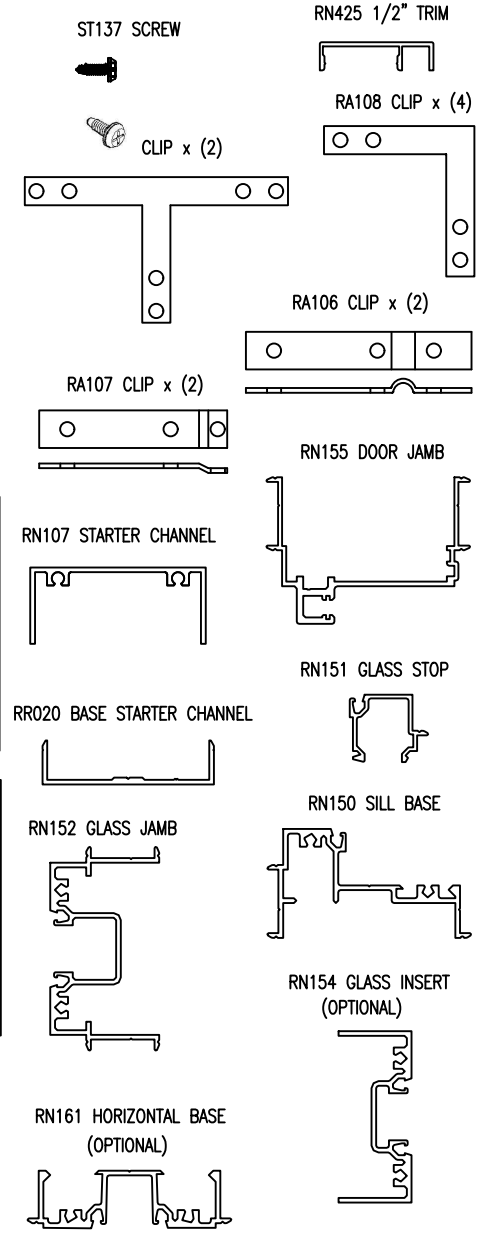
(C)



(D)



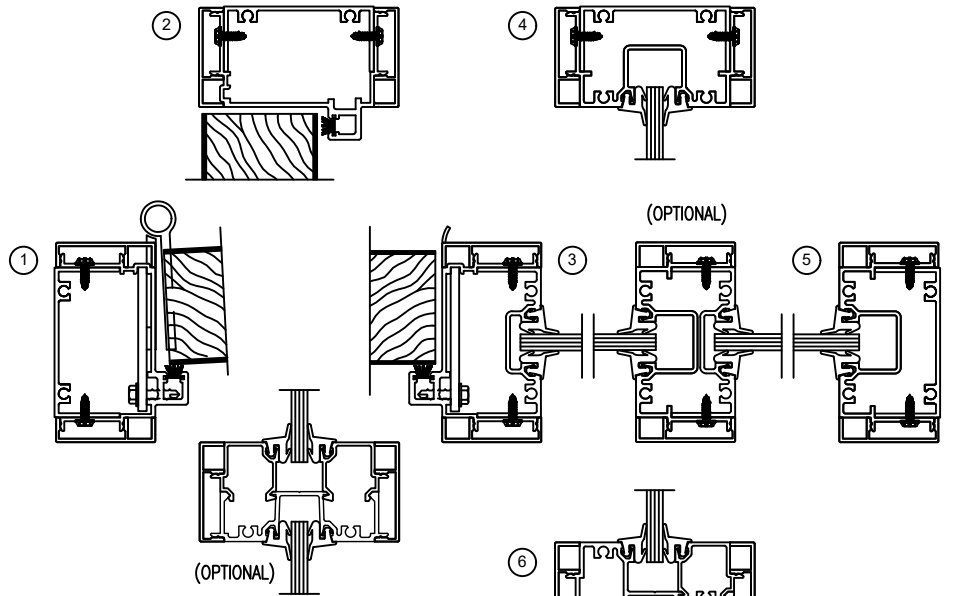
(E)



NOT TO SCALE
REVISED 4/6/2020

225 Single Frame with Sidelight Clip Installation Instructions

General Installation Guidelines
FRAME MUST BE INSTALLED PLUMB, LEVEL AND SQUARE



FINISHED OPENING INFORMATION

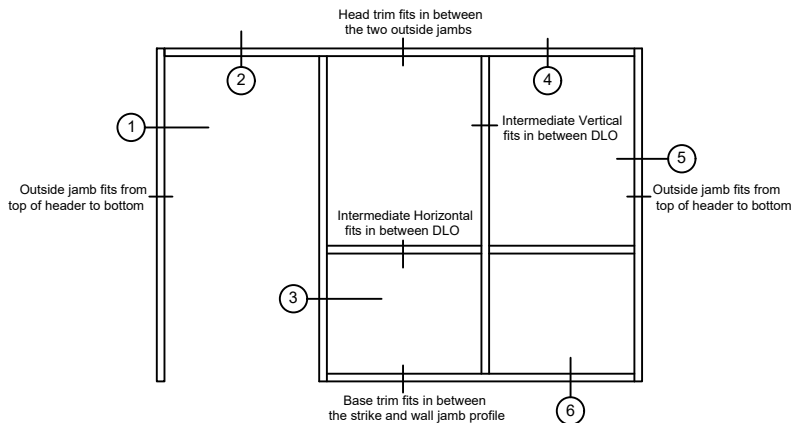
FINISHED OPENING WIDTH = OVERALL WIDTH + 1/4"
FINISHED OPENING HEIGHT = OVERALL HEIGHT + 1/8"

ADD WOOD BLOCKING WHEN SIDELIGHT
HAS ABUTT GLAZING (BY OTHERS)

TRIM CUTTING DIAGRAM & DETAIL CHART

(RECOMMENDED FIELD CUTTING TO FIT)

TRIM REQUIRES FIELD NOTCHING AT EACH CLIP CONNECTION



F



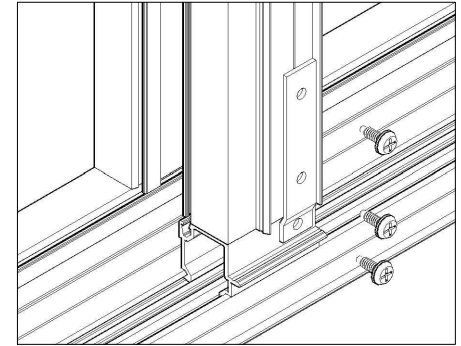
G



H



VERTICAL MULLION AT BASE



WHEN INSTALLING A VERTICAL MULLION, CUT A
PROFILE SIZE PIECE OF RN150 TO BALANCE.

FREQUENTLY ASKED QUESTIONS

WHAT SIZE GLASS CAN BE USED IN THIS SYSTEM ?

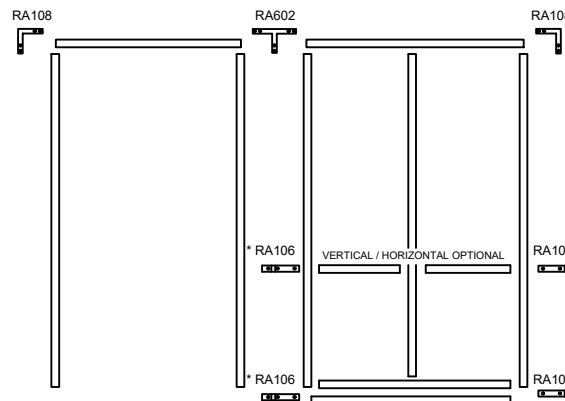
1", 3", 1", OR 9" GLASS
4, 8, 2, OR 16

WHAT IS THE MAXIMUM HEIGHT PER ELEVATION?

10'

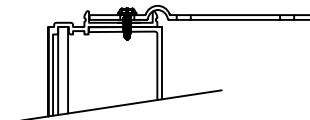
CLIP ASSEMBLY DIAGRAM

(RECOMMENDED FIELD NOTCHING)



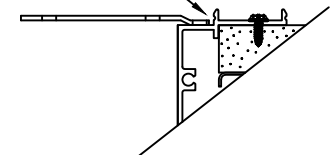
* = When using 2" trim use RA107 clip at this location instead of RA106 clip

SIDE VIEW CLIP DIAGRAM: CLIP RA106 AT STRIKE JAMB



SIDE VIEW CLIP DIAGRAM: CLIP RA107 AT GLASS JAMB

HOLD BACK 1/16"



NOT TO SCALE

REVISED 4/6/2020



RACO 225 Series

Typical Door, Frame & Sidelite Details

