



7354 Denny Road, Suite 100
 Houston, Texas 77040
 Phone: (800) 272-7226
 Fax: (713) 682-2079
www.racointeriors.com
customerservice@racointeriors.com

Customer Name: _____

 Project Name: _____

 Ship to Address: _____

Purchase Order: _____
 Contact Name: _____
 Phone#: _____
 Jobsite Contact: _____
 Phone#: _____
 Fax#: _____
 E-Mail: _____

Classic System
 Shop Drawing#: _____
 Page: _____ of _____
 Dated: _____
 Approved: _____
 Revised: _____
 Rev. # ___ - _____

Finish:
 Alodine (Primed for field painting)
 Black Painted Bronze Painted
 Clear Anodized White Painted
 Other: _____

Wall Size:
 3-3/4" Wall 4-7/8" Wall

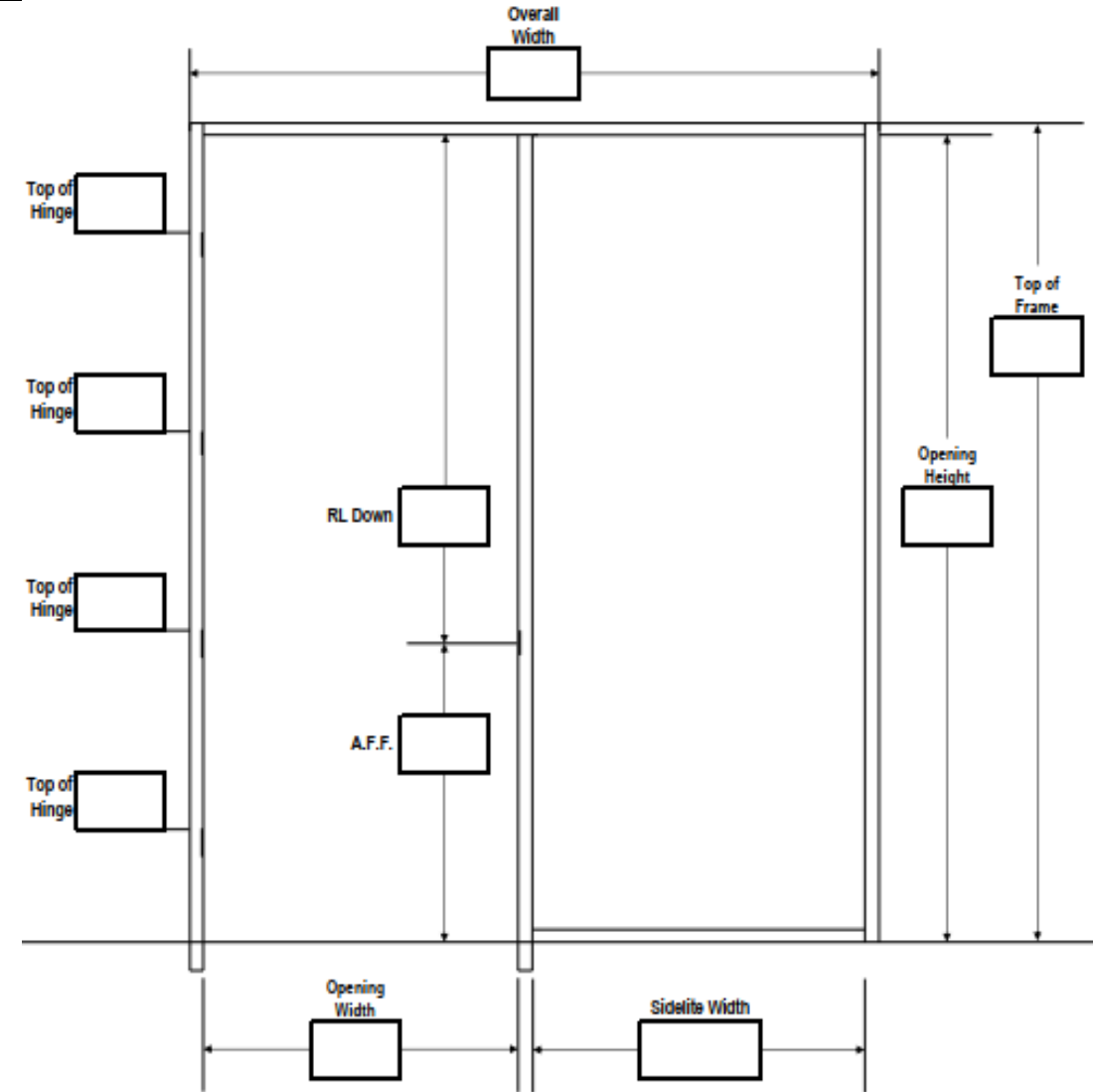
Header Condition:
 Head Track
 Free Standing
Profile: 1-1/2" x 9/32"

Fixed Throat Frame Corners:
 Square-Cut (Only)

Sound Seal:
 Wool-pile Vinyl Bulb
 Black Grey White

Positive Pressure Rating:
 N/A

Glazing Vinyl:
 Black Bronze
 Grey White
 1/4" 3/8"



Left Hand Quantity (RHR):
 Tag#: _____

Right Hand Quantity (LHR):
 Tag#: _____

2" Extra: Yes No
STANDARD PREPARATION:
 4-1/2" STANDARD WEIGHT HINGE ONLY
 (15/64" BACKSET ON DOORS) AND 4-7/8"
 ASA STRIKE CUT OUT. ALL OTHER
 SPECIAL PREPS SHOULD BE NOTED IN
 MANUFACTURING NOTES.

SPECIAL PREP/INFORMATION

