



7354 Denny Road, Suite 100
 Houston, Texas 77040
 Phone: (800) 272-7226
 Fax: (713) 682-2079
www.racointeriors.com
customerservice@racointeriors.com

Customer Name: _____

 Project Name: _____

 Ship to Address: _____

Purchase Order: _____
 Contact Name: _____
 Phone#: _____
 Jobsite Contact: _____
 Phone#: _____
 Fax#: _____
 E-Mail: _____

Solutions II System

Shop Drawing#: _____
 Page: _____ of _____
 Dated: _____
 Approved: _____
 Revised: _____
 Rev. # ___ - _____

Finish:

- Alodine (Primed for field painting)
- Black Painted Bronze Painted
- Clear Anodized White Painted
- Other: _____

Wall Size:

- 2-1/4" Wall 3-1/2" Wall
- 3-3/4" Wall 4-5/8" Wall
- 4-7/8" Wall 5" Wall
- 5-1/4" Wall 5-1/2" Wall
- 6-1/8" Wall 7-1/4" Wall
- Other: _____

Trim:

- 1-1/2" x 3/8" 1-15/16" x 3/8"
- 3" x 3/8" 4" x 3/8"
- Other: _____

Corner Condition:

- Square-Cut Mitered-Cut

Sound Seal:

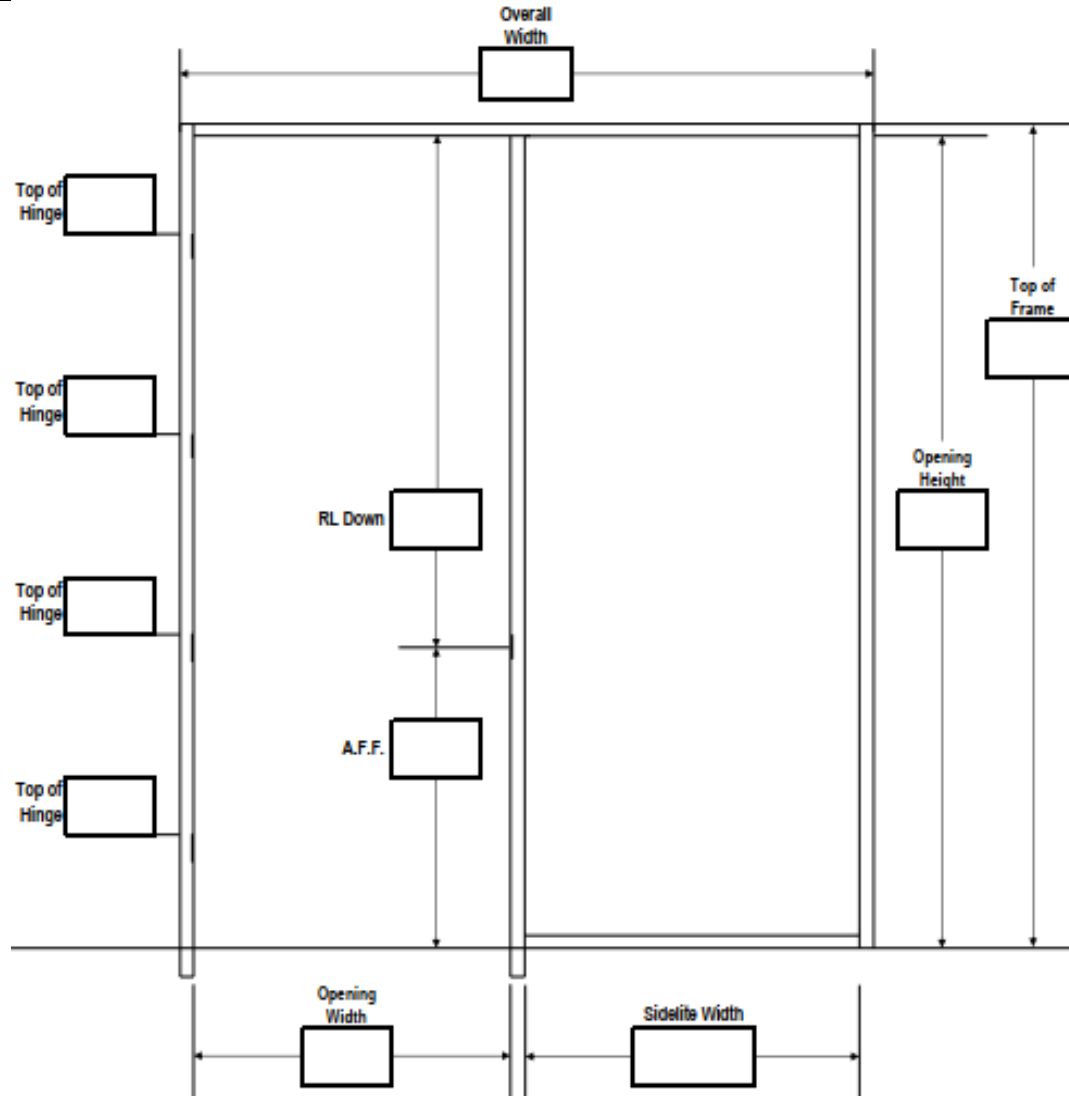
- Wool-pile Vinyl Bulb
- Black Grey White

Positive Pressure Rating:

- 20 Minute (Fixed Throat Only)
- Maximum 2'-0" X 9'-0" (Sidelite)

Glazing Vinyl:

- Black Grey White
- 1/4" 3/8" 1/2" 9/16"
- Other: _____



Left Hand Quantity (RHR):

Tag#: _____

Right Hand Quantity (LHR):

Tag#: _____

2" Scribe: Yes No

STANDARD PREPARATION:
 4-1/2" STANDARD WEIGHT HINGE ONLY
 (15/64" BACKSET ON DOORS) AND 4-7/8"
 ASA STRIKE CUT OUT. ALL OTHER
 SPECIAL PREPS SHOULD BE NOTED IN
 MANUFACTURING NOTES.

SPECIAL PREP/INFORMATION

- _____
- _____
- _____
- _____
- _____
- _____