



# CLASSIC Pocket and Bi-Parting Door Frame

## DRYWALL AT HEAD GENERAL INSTALLATION INSTRUCTIONS

1. INSTALL RC345 (POCKET FRAME JAMB)
2. INSTALL SECTION OF RC348 HEAD TRACK TO FINISH OPENING SIZE.  
NOTE: THE RC348 RUNS THE FULL WIDTH OF THE FINISHED OPENING ONLY.  
ATTACH AT HEAD AND INSTALL THE RC346 POCKET HEAD TRACK, TWO TIMES THE SIZE OF THE DOOR WIDTH.  
PLACE THE TWO EH773 ROLLERS INTO THE TRACK, AND ATTACH THE TRACK AT 12" ON CENTER.
3. INSTALL THE RW105 STEEL STUDS AT THE DOOR OPENING + 1/8" AND AT THE CENTER OF THE POCKET,  
ENGAGING THE RC346 TRACK AND THE RA615 FLOOR CLIP.  
INSTALL VR910 PLASTIC DOOR GUIDE INTO THE POCKET AND ANCHOR TO FLOOR.  
INSTALL THE EH711 WALL STOP TO THE WOOD BLOCKING (BY OTHERS). INSTALL DRYWALL TO STEEL STUDS TO CLOSES THE OPENING.
4. INSTALL THE TWO PIECES OF RC347 POCKET SPLIT JAMB TO THE OPENING.
5. HANG AND ADJUST DOOR. INSTALL RC344 CLOSER PLATES TO EACH SIDE OF THE RC346 TRACK TO COMPLETE THE OPENING.

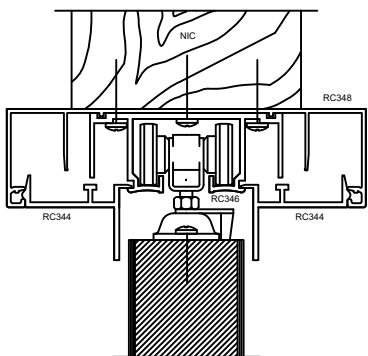
ROUGH OPENING HEIGHT = DOOR OPENING HEIGHT + 2-1/8"

OPENING WIDTH = DOOR WIDTH - 1"

ROUGH OPENING WIDTH = OPENING WIDTH + 5/8"

POCKET OPENING WIDTH = ACTUAL DOOR WIDTH - 5/8"

### FULL HEIGHT POCKET HEAD DETAIL



### PARTIAL HEIGHT LESS THAN CEILING

FOLLOW FULL HEIGHT INSTRUCTIONS EXCEPT A-050 AND RC347 REPLACES RC344

