



7354 Denny Road, Suite 100  
 Houston, Texas 77040  
 Phone: (800) 272-7226  
 Fax: (713) 682-2079  
[www.racointeriors.com](http://www.racointeriors.com)  
[customerservice@racointeriors.com](mailto:customerservice@racointeriors.com)

Customer Name: \_\_\_\_\_  
 \_\_\_\_\_  
 Project Name: \_\_\_\_\_  
 \_\_\_\_\_  
 Ship to Address: \_\_\_\_\_  
 \_\_\_\_\_  
 \_\_\_\_\_  
 \_\_\_\_\_

Purchase Order: \_\_\_\_\_  
 Contact Name: \_\_\_\_\_  
 Phone#: \_\_\_\_\_  
 Jobsite Contact: \_\_\_\_\_  
 Phone#: \_\_\_\_\_  
 Fax#: \_\_\_\_\_  
 E-Mail: \_\_\_\_\_

Shop Drawing#: \_\_\_\_\_  
 Page: \_\_\_\_\_ of \_\_\_\_\_  
 Dated: \_\_\_\_\_  
 Approved: \_\_\_\_\_  
 Revised: \_\_\_\_\_  
 Rev. # \_\_\_ - \_\_\_\_\_

**SHIELD INNOVATIONS**

- Finish:**
- Black Painted     Bronze Painted
  - Clear Anodized     White Painted

**SERIES C**

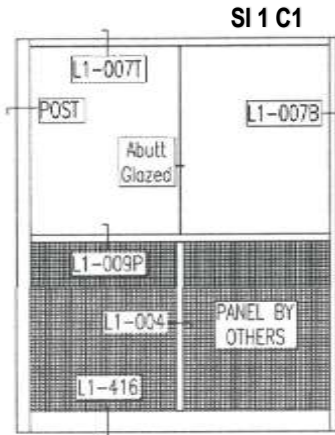
Overall Kit Dimensions

- (C1) 6'-0" x 6'-6"
- (C2) 4'-3" x 6'-6"
- (C3) overall 8'-3" x 6'-0" x 6'-6"
- (C4) overall 8'-3" x 12'-3" x 6'-6"

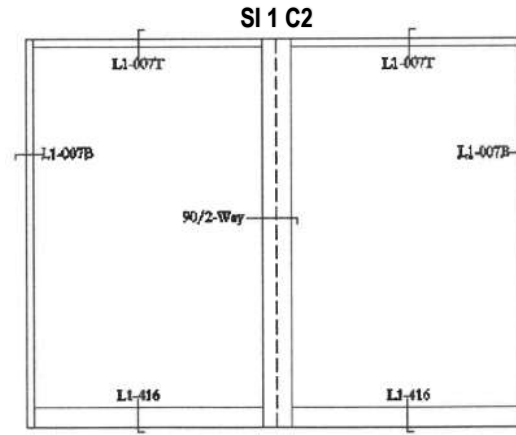
- Trim & Corner Condition:**
- 1-1/2" x 3/8" (Square Cut)
  - 4" x 3/8" (Square Cut) @ Sill

- Glazing Vinyl:**
- Black     Grey     White
  - 1/4"     3/8"     1/2"     9/16"

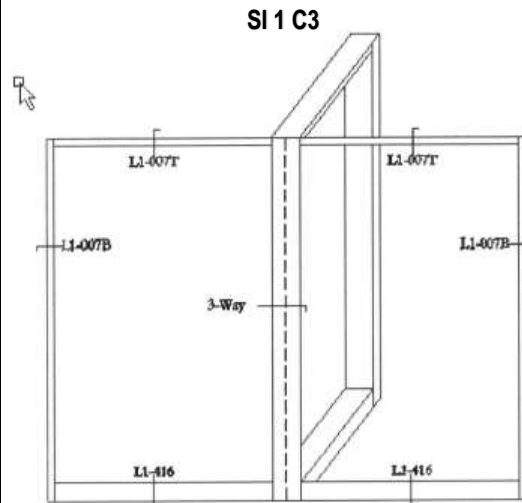
- Available Additions:**
- Horizontal Mullion.....SI1HMXX
  - Vertical Mullion.....SI1VMXX
  - Bank Rail Post.....SI1BRP
  - 90° Flat Steel Plate....SI190FSP
  - "T" Flat Steel Plate.....SI1TFSP
  - 90° Wall Steel Angle.SI190WSP
  - 3" Post Cap.....SICP101
  - 1-1/2" Post Cap.....SICP102
  - Electric Outlet Prep...SIELPREP



Standard Daylight opening (DLO) of bottom lite @ 24-1/2" (Maximum DLO @ 48")



Window DLO @ 46-1/2"



Window DLO @ 46-1/2" @ each side of post  
 Window DLO @ 70-1/2" @ post to wall



\*4 each C3 conditions with a corner post  
 Window DLO @ 46-1/2" @ each side of post  
 Window DLO @ 70-1/2" @ center post @ Window DLO @ 70-1/2"  
 \*Please note horizontal mullions shown are an add and not included in the kit.

SI 1 C1:            QTY: \_\_\_\_  
 Tag#: \_\_\_\_\_  
 \_\_\_\_\_  
 \_\_\_\_\_  
 \_\_\_\_\_

SI 1 C2:            QTY: \_\_\_\_  
 Tag#: \_\_\_\_\_  
 \_\_\_\_\_  
 \_\_\_\_\_  
 \_\_\_\_\_

SI 1 C3:            QTY: \_\_\_\_  
 Tag#: \_\_\_\_\_  
 \_\_\_\_\_  
 \_\_\_\_\_  
 \_\_\_\_\_

SI 1 C4:            QTY: \_\_\_\_  
 Tag#: \_\_\_\_\_  
 \_\_\_\_\_  
 \_\_\_\_\_  
 \_\_\_\_\_