

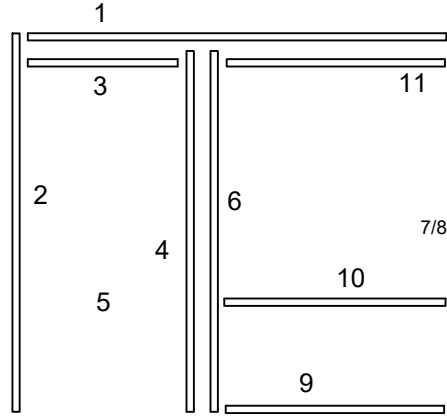


CLASSIC Door Frame with Sidelight

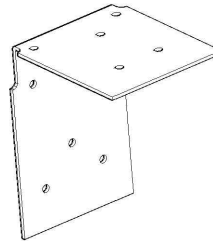
DRYWALL AT HEAD GENERAL INSTALLATION INSTRUCTIONS

General Installation Guidelines

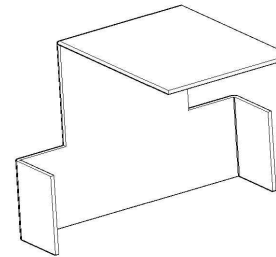
1. PLACE HEAD OVER DRYWALL.
2. PLACE HINGE JAMB OVER DRYWALL AND ATTACH TO HEAD WITH (R18) LEVEL HEAD AND PLUMB HINGE JAMB. ATTACH TO WALL
3. SNAP IN DOOR FRAME HEAD INSERT.
4. ATTACH STRIKE JAMB TO HEAD WITH (R16H) PLUMB JAMB AND ATTACH TO FLOOR WITH (R16)
5. ATTACH DOOR STOP TO JAMBS.
6. SNAP IN GLAZING INSERT INTO STRIKE JAMB.
7. MEASURE FROM TOP OF HEADER TO BOTTOM OF DRYWALL AND FIELD NOTCH GLAZING JAMB.
8. PLACE GLAZING JAMB OVER DRYWALL AND ATTACH TO HEAD WITH (R56B)
9. ATTACH SILL TO STRIKE JAMB AND GLAZING WITH (R56B)
10. ATTACH INTERMEDIATE HORIZONTAL TO STRIKE JAMB WITH (R56B) AND GLAZING JAMB.
11. SNAP IN GLAZING HEAD INSERT.



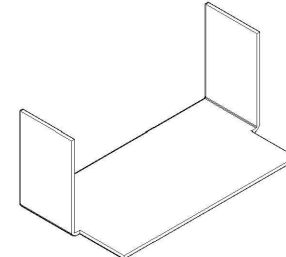
IMPORTANT INSTALLATION INFORMATION:
 WALL THICKNESS CANNOT EXCEED 1/8" THICKER THAN NOMINAL.
 CLASSIC FITS 3-3/4" OR 4-7/8"



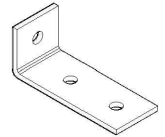
RA413
R18



RA225 (375)
RA335 (487)
R16H



RA224 (375)
RA332 (487)
R16



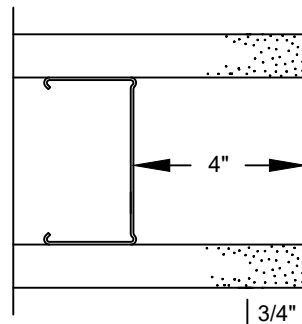
RA406
R56B

C-STUD INSET 4" AT DOOR FRAME JAMBS

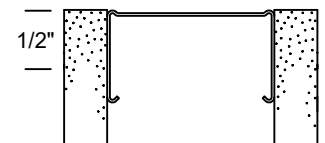
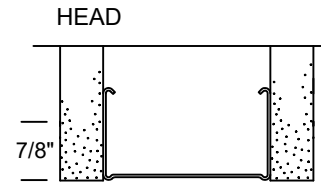
GENERAL ROUGH OPENING FORMULAS WIDTH:

- + 1-1/2" WALL COVERAGE
- + DOOR OPENING WIDTH
- + INTERMEDIATE VERTICAL(S) IF ANY
- + DAYLIGHT OPENING WIDTH(S) IF ANY

- HEIGHT: 7/8" WALL COVERAGE
 + DOOR OPENING HEIGHT

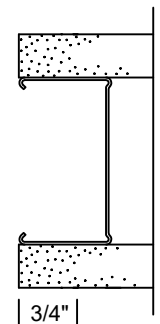


DOOR FRAME JAMB



SILL

USE STANDARD C-STUD AT HEAD
 NOTE: DO NOT INVERT STUD



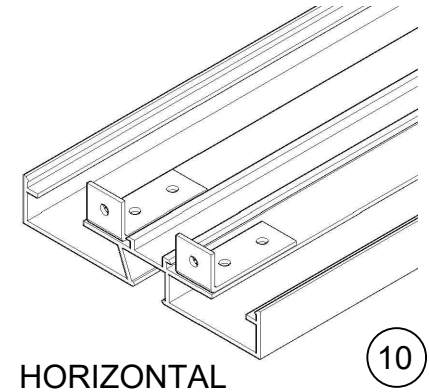
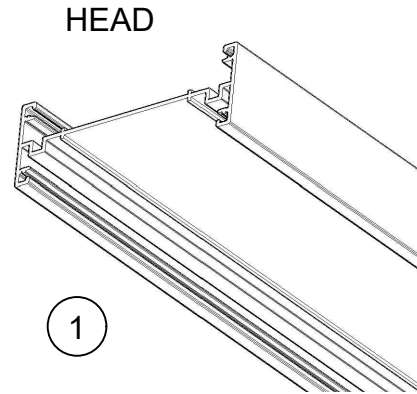
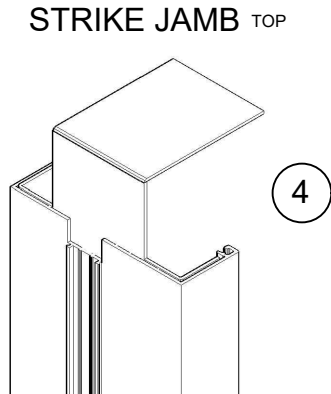
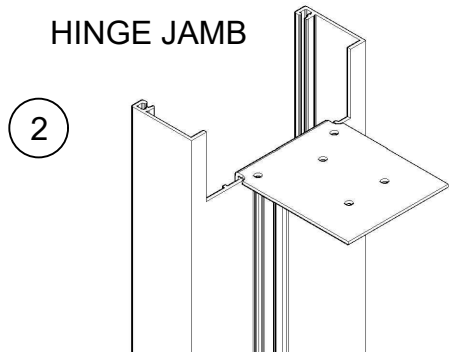
GLAZING JAMB
 NOTE: STUD INVERTED

NOT TO SCALE



CLASSIC Door Frame with Sidelight

DRYWALL AT HEAD GENERAL INSTALLATION INSTRUCTIONS



* NOTE: VERTICAL MULLIONS ARE HANDED THEREFORE BE SURE TO TURN ALL POCKETS THE SAME DIRECTION

