



# SOLUTIONS II Pocket and Bi-Parting Door Frame Installation Instructions

**FRAME MUST BE INSTALLED PLUMB AND SQUARE**

**\*\* For 4-7/8" Walls Only\*\***

## General Installation Guidelines

### 1. BUILD ROUGH OPENING AS SHOWN:

- A. ASSURE HEAD IS LEVEL
- B. ASSURE THAT C-STUDS IN JAMBS ARE FACING THE RIGHT DIRECTION

### 2. CHECK PARTS LIST:

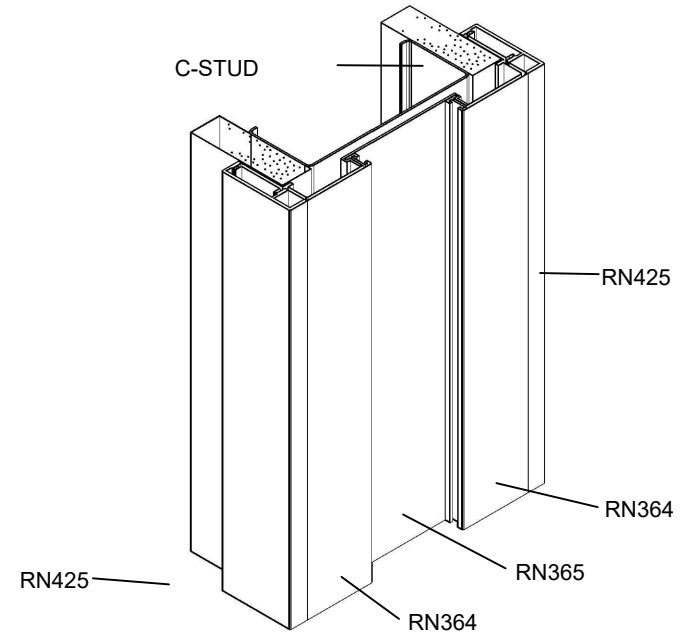
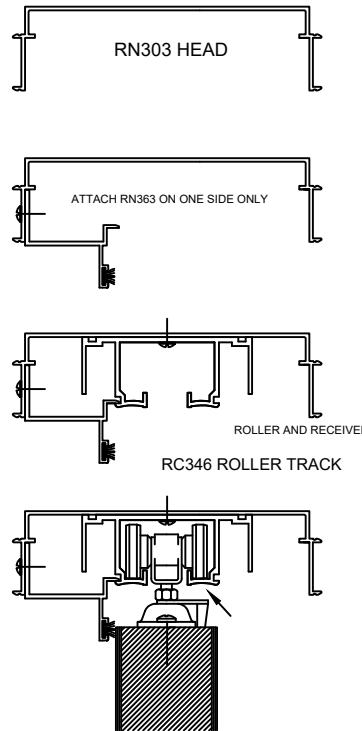
- A. HEAD RN303
- B. HEAD INSERT (2) RN363 WITH WOOL PILE INSTALLED
- C. JAMBS (4PCS) RN364 WITH WOOL PILE INSTALLED
- D. FILLER RN365
- E. CLIPS - (2) RA107, (2) RA108
- F. ROLLER TRACK RC346
- G. SHIMS (6)
- H. ATTACHMENT TEK SCREWS ST066
- I. VINYL FLOOR TRACK
  - \* VERTICAL SUPPORT (4)
  - \* BOTTOM SPACER BRACKETS (2)
  - \* VINYL POCKET TRACK
  - \* ROLLER ASSEMBLIES (2) WITH RECEIVERS AND WRENCH

3. ATTACH TO RN303 ONE SIDE OF RN363 INSERT. SECOND SIDE WILL BE INSTALLED AFTER DOOR IS HUNG.

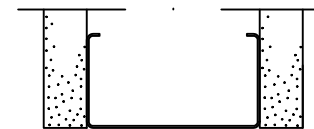
4. ASSEMBLY OPENING JAMB WITH (2) RN364 AND (1) RN365. PLACE OVER WALL AND ATTACH WITH THE TOP OF THE JAMB TOUCHING THE ROUGH OPENING HEAD. ASSURE JAMB IS PLUMB. SCREW TO DRYWALL EVERY 12"

5. INSERT ROLLER TRACK RC346 INTO HEAD AND NEST WITH RN363 ON ONE SIDE.

- A. HOLD TOGETHER AND BUTT TO ROUGH OPENING HEAD
- B. INSERT ROLLERS INTO TRACK
- C. SCREW THROUGH ROLLER TRACK HEAD INTO C-STUD AT HEAD. START SCREWING IN THE OPENING HEAD SECTION
- D. BEFORE SCREWING THE ROLLER TRACK INTO THE POCKET SECTION, CHECK FOR LEVEL. INSERT SHIMS AT THIS TIME TO ASSURE LEVEL WITH EACH ATTACHMENT SCREW.



HEAD FULL HEIGHT - ATTACH RN303 AND RC346 TRACK TO CEILING GRID



HEAD LESS THAN CEILING HEIGHT

JAMB IN POCKET

## WALL CONSTRUCTION

ROUGH OPENING HEIGHT EQUALS:  
DOOR OPENING HEIGHT + 2"

ROUGH OPENING WIDTH EQUALS:  
DOOR WIDTH x 2 + 5/8"



JAMB IN OPENING



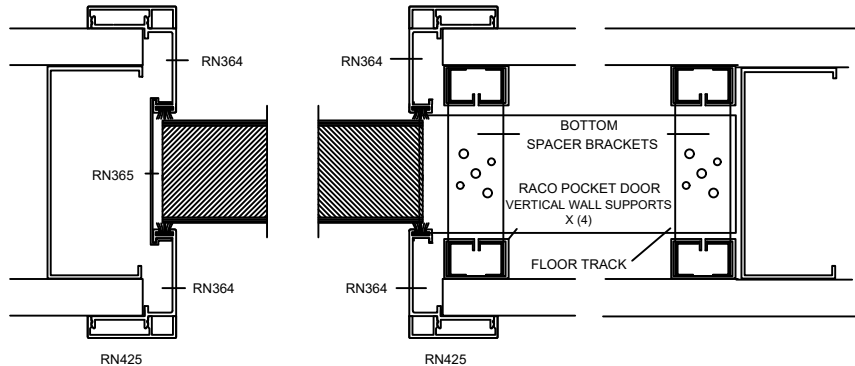
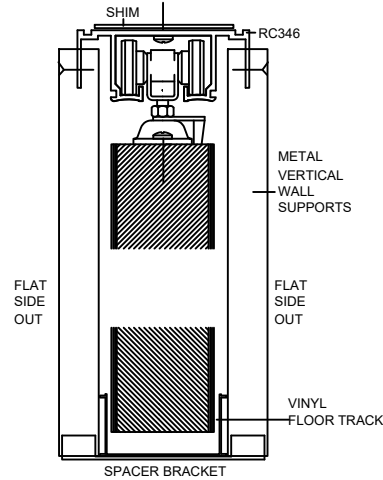
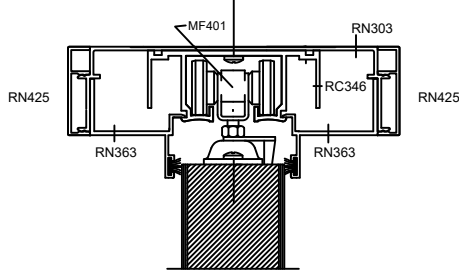
**NOT TO SCALE**



# SOLUTIONS II Pocket and Bi-Parting Door Frame Installation Instructions

**FRAME MUST BE INSTALLED PLUMB AND SQUARE**

## REINFORCEMENT REQUIRED



6. ATTACH THE TWO RN364 VERTICALS TO THE RN303 HEAD USING THE RA108 CORNER CLIP
  - A. VERTICALS CUT FROM BOTTOM OF HEAD TO FLOOR
  - B. JAMBS WILL BE PLUMBED AFTER FINAL DRYWALL IS INSTALLED OVER THE POCKET
  
7. ATTACH THE FOUR METAL VERTICAL SUPPORTS
  - A. CUT VERTICAL SUPPORTS NOTE: END WITH SLOTS CUT INTO THE STUD GOES TO TOP CUT OTHER END FOR LENGTH AND BOTTOM FITS OVER FLOOR SPACER BRACKETS.
  - B. INSERT VERTICAL SUPPORTS SO FLAT SIDE OF METAL STUD IS FACING OUTWARD ON ALL FOUR
  - C. INSERT BOTTOM SPACER BRACKETS INTO THE BOTTOM OF THE VERTICAL SUPPORT
  - D. SCREW TOP OF VERTICAL SUPPORT TO THE ROLLER TRACK FIN. BE CAREFUL NOT TO USE SCREWS THAT WILL GO BEYOND THE SUPPORTS AND INTERFERE WITH THE DOOR'S MOVEMENT.
  - E. PLACE THE VINYL FLOOR TRACK INTO THE BOTTOM OF THE POCKET SO THAT IT WILL RECEIVE THE BOTTOM OF THE DOOR. ATTACH TO THE FLOOR.
  
8. FINISH THE INSTALLATION OF THE DRYWALL USING THE VERTICAL SUPPORTS FOR ATTACHMENT
  
9. PLUMB AND ATTACH THE LAST TWO RN364 MEMBERS TO THE DRYWALL
  
10. ATTACH THE ROLLER RECEIVERS TO THE TOP OF THE DOOR (CENTERED)
  
11. HANG THE DOOR AND ADJUST THE HEIGHT WITH THE ENCLOSED WRENCH
  
12. INSERT THE SECOND RN363 INTO THE HEAD AND ATTACH
  
13. CUT THE TRIM TO FIT AND INSTALL

**Note:** For walls other than 4-7/8" Raco does not provide the 4 vertical wood supports (Raco will supply frame materials, but wall will need to be engineered & supported by others). Also, the specific details differ slightly (see your job specific details)

NOTE: BI-PARTING FRAME IS MERELY TWO OPPOSING POCKET FRAMES WITHOUT FIXED JAMBS.

**NOT TO SCALE**