

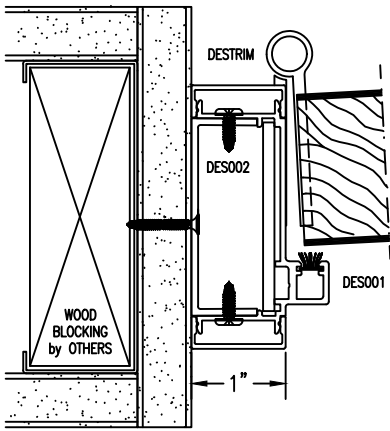


RACO Design1

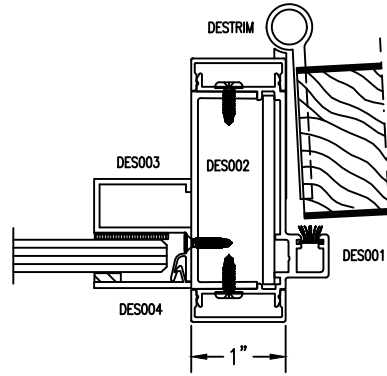
Typical Door, Frame & Sidelite Details

THIS SYSTEM REQUIRES 3/8" GLASS THICKNESS

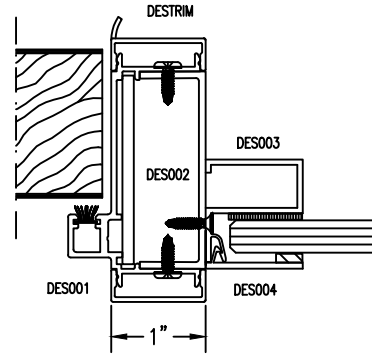
D1-03B



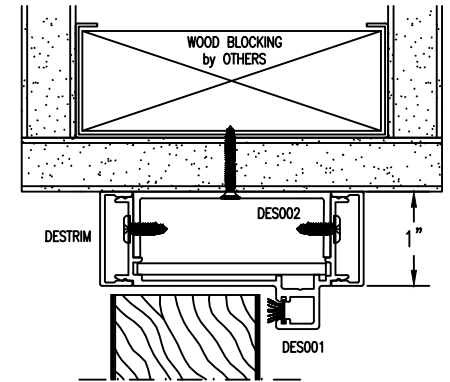
D1-06I



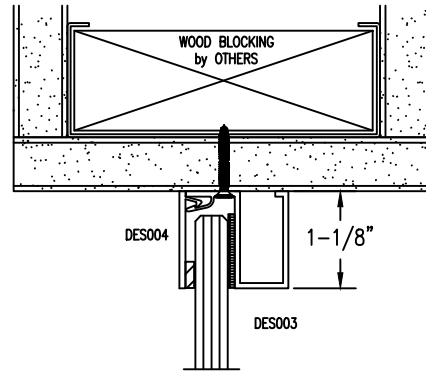
D1-05I



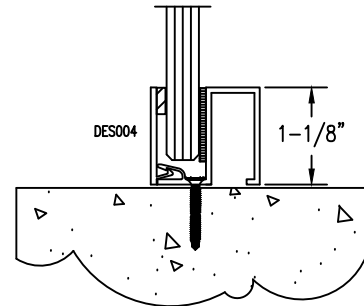
D1-01B



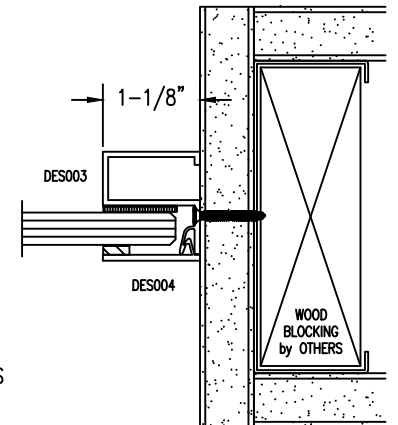
D1-0GS



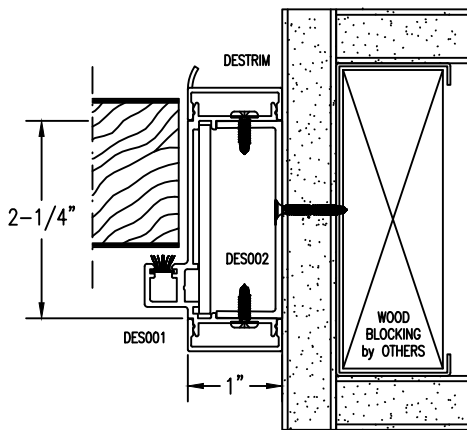
D1-0GS



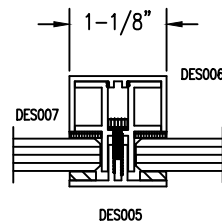
D1-0GS



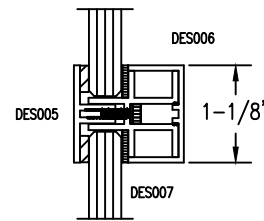
D1-05B



D1-0VM



D1-0HM



SHEETROCK SCREWS  
(BY OTHERS)

ST137



DESASCR114



ST360



ST066



THIS SYSTEM REQUIRES 3/8" GLASS THICKNESS

Revised 3/29/2024